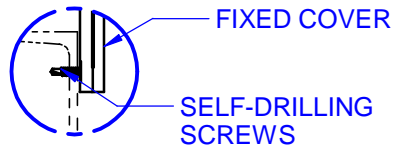
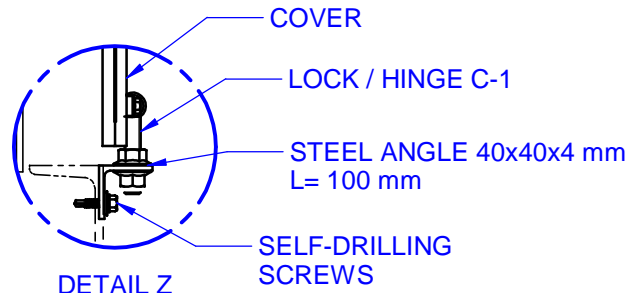


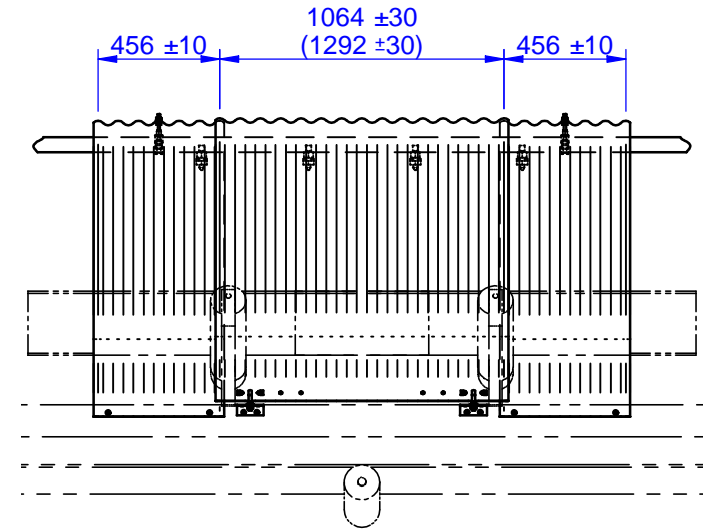
DETAIL X



DETAIL Y

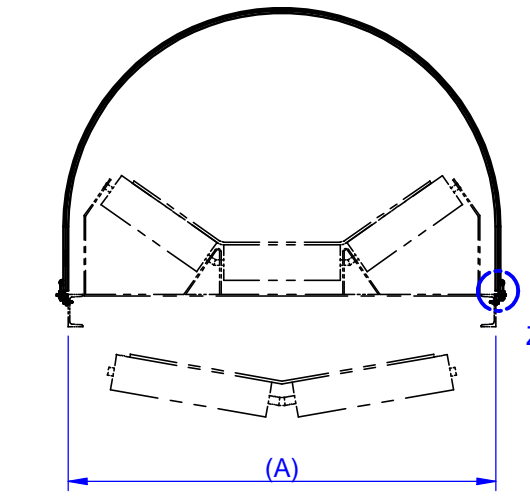
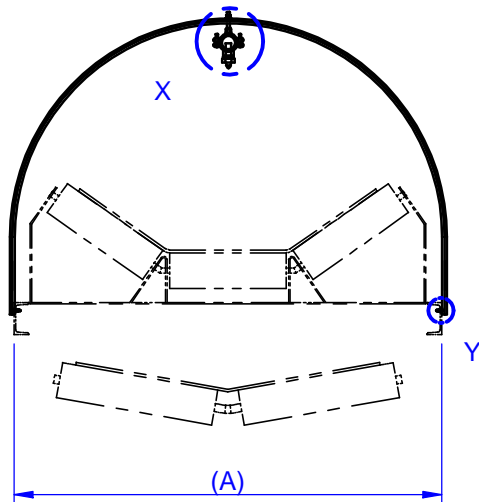


DETAIL Z

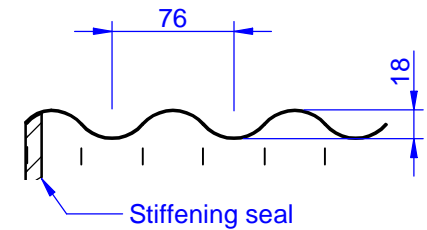


FIXED COVER

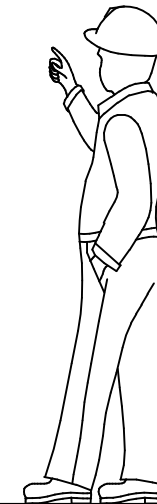
FOLDING COVER



CORRUGATION DETAIL



Sheet thickness 0.6mm and 1.2mm in edges.



NOT SPECIFIED TOLERANCE

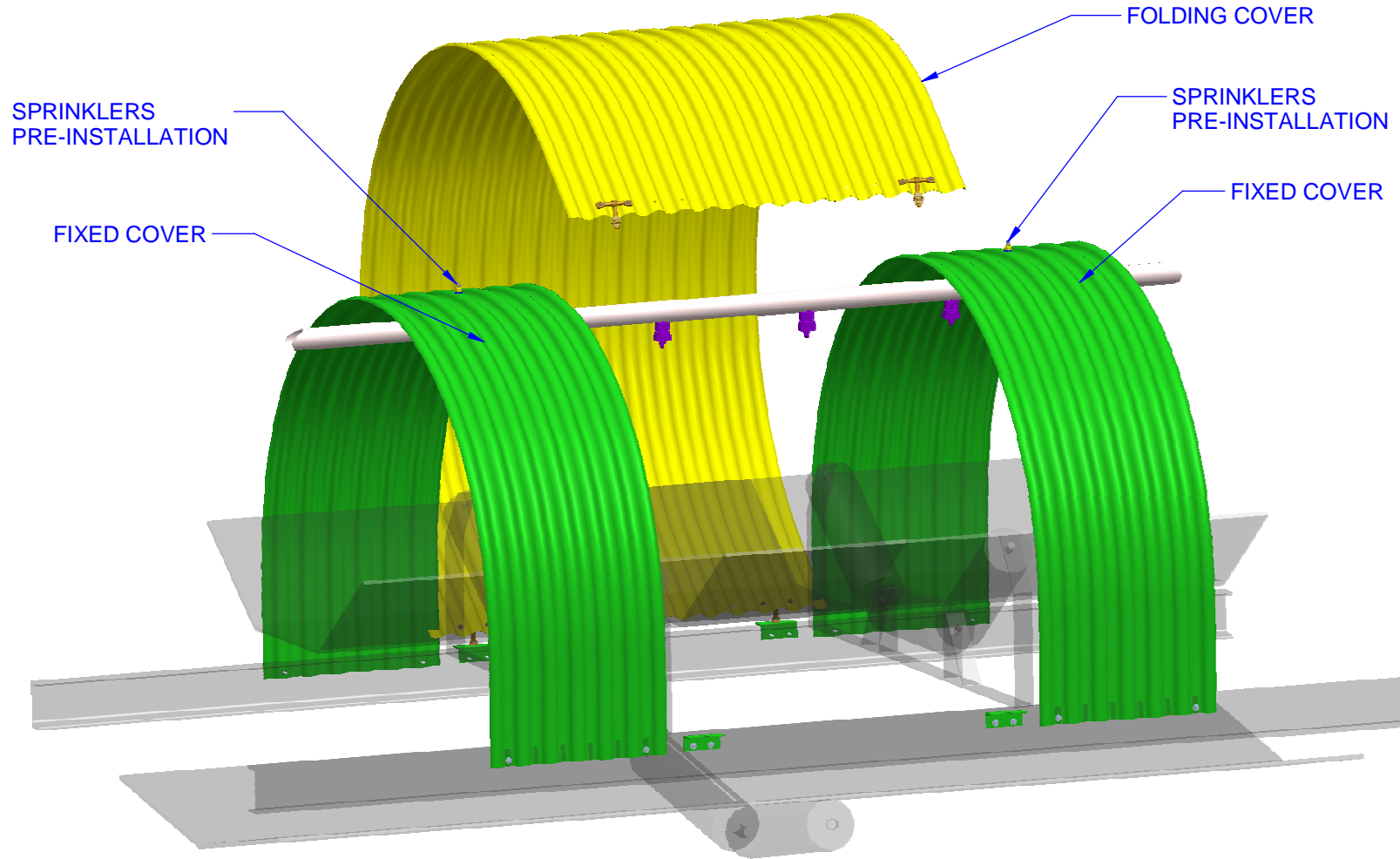
DIMENSIONS		ANGLES	
( )	: ±2.00	0°	: ±02' 00"
X.	: ±0.50		
X.0	: ±0.25	0° 0'	: ±00' 30"
X.00	: ±0.08		
X.000	: ±0.02	0° 0' 0"	: ±00' 03"

CAD DRAWING. HANDLING ON CAD SYSTEM ONLY

THIS DRAWING IS OWNED BY CAPOTEX.  
COPY OR REPRODUCTION IS FORBIDDEN  
WITHOUT PREVIOUS NOTICE

SCALE	DESIGNED	DRAWN	CHECKED	SHEET 1 OF 2	FORMAT
1:20	DATE 15-09-11			EUR	A3
NAME	SIGNATURE P.GLEZ		J.SAURA	DRAWING NUMBER	
CAPOFIRE CLASSIC COVER				CAPOFIRE_01_EN.dft	

# INSTALLATION EXAMPLE



**NOT SPECIFIED TOLERANCE**

DIMENSIONS		ANGLES	
( )	: ±2.00	0°	: ±02' 00"
X.	: ±0.50		
X.0	: ±0.25	0° 0'	: ±00' 30"
X.00	: ±0.08		
X.000	: ±0.02	0° 0' 0"	: ±00' 03"

**CAD DRAWING. HANDLING ON CAD SYSTEM ONLY**

THIS DRAWING IS OWNED BY **CAPOTEX**.  
COPY OR REPRODUCTION IS FORBIDDEN  
WITHOUT PREVIOUS NOTICE

SCALE	DESIGNED	DRAWN	CHECKED	SHEET 2 OF 2	FORMAT
1:20	15-09-11	.	.	EUR	A3
DATE	SIGNATURE	P.GLEZ	J.SAURA	DRAWING NUMBER	
NAME	CAPOFIRE CLASSIC COVER			CAD FILE	
				CAPOFIRE_01_EN.dft	