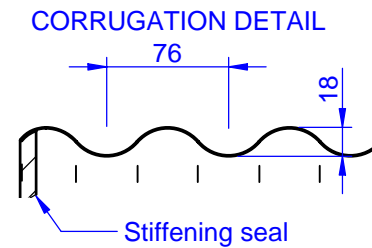


ADVANTAGES OF COVERS/HOODS **CAPOTEX**

CAPOTEX	OTHER MANUFACTURERS
<p>RIGIDITY FOLD GREATER RIGIDITY OF THE COVER / HOOD AVOID CUTS DURING ITS MANIPULATION</p>	
<p>ROUNDED CORNER AVOID CUTS DURING ITS MANIPULATION</p>	



Sheet thickness 0.6mm and 1.2mm. in edges.



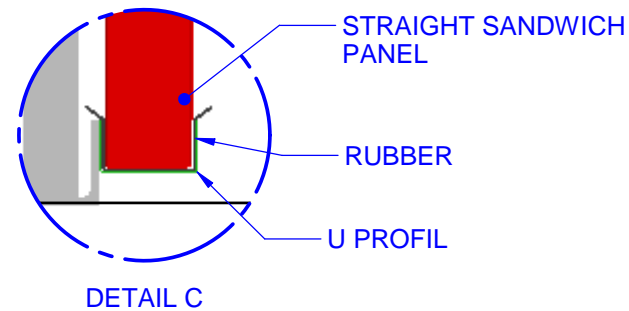
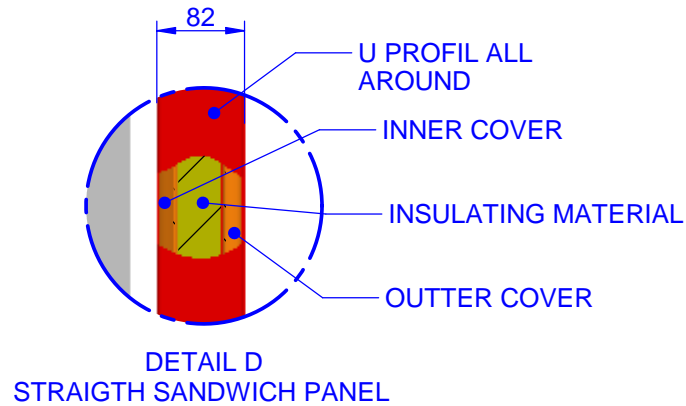
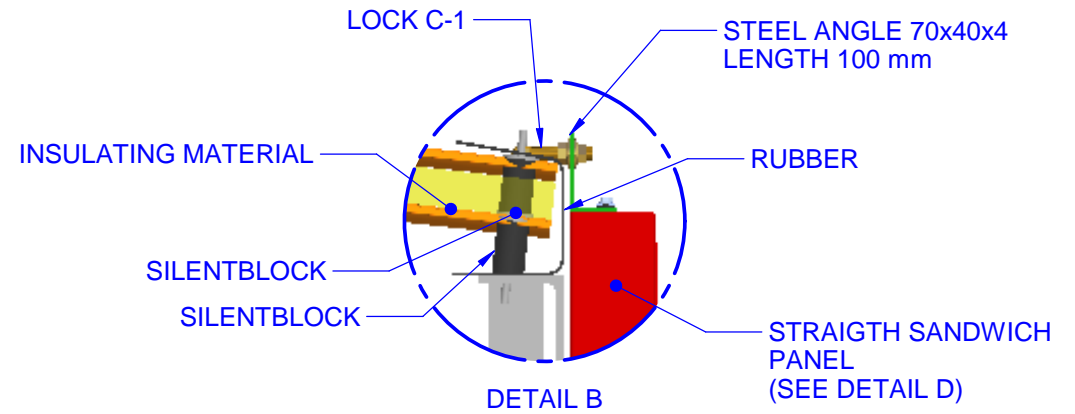
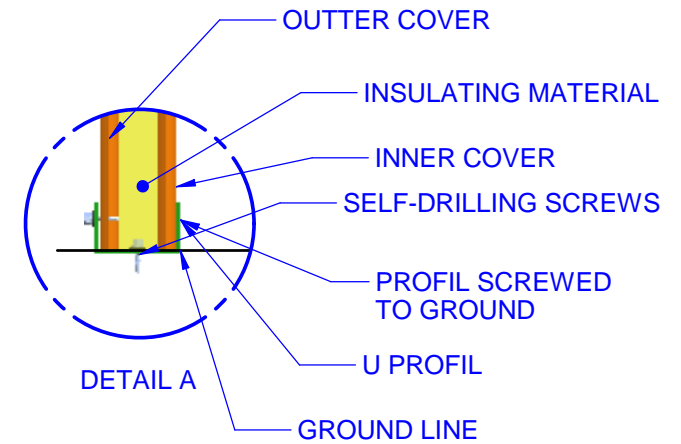
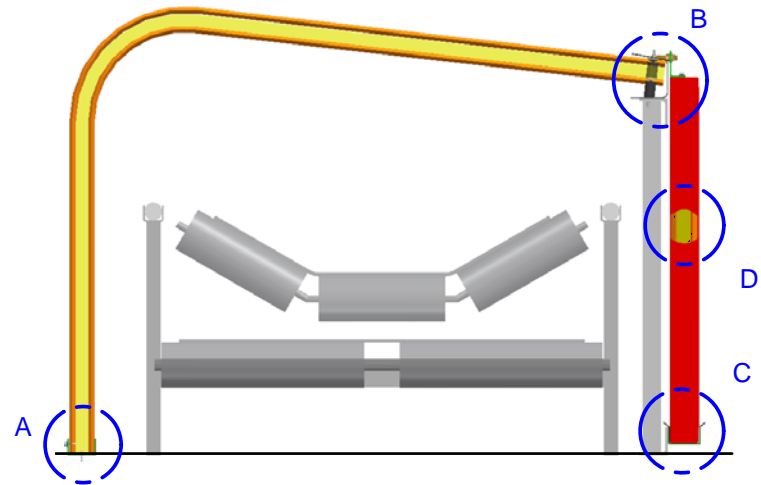
NOT SPECIFIED TOLERANCE

DIMENSIONS		ANGLES	
()	: ±2.00	0°	: ±02' 00"
X.	: ±0.50		
X.0	: ±0.25	0° 0'	: ±00' 30"
X.00	: ±0.08		
X.000	: ±0.02	0° 0' 0"	: ±00' 03"

CAD DRAWING. HANDLING ON CAD SYSTEM ONLY

THIS DRAWING IS OWNED BY **CAPOTEX**.
COPY OR REPRODUCTION IS FORBIDDEN
WITHOUT PREVIOUS NOTICE

SCALE	DESIGNED	DRAWN	CHECKED	SHEET 1 OF 3	FORMAT
1:20			OCT-10	EUR	A3
DATE	SIGNATURE	P.GLEZ	J.SAURA	DRAWING NUMBER	
				CAPONOISE_02	
NAME	CAPONOISE (CAPOARC + CAPOSIDE C-1) (GENERAL VIEW)			CAD FILE	
				CAPONOISE_02 (ingles).dft	



NOT SPECIFIED TOLERANCE

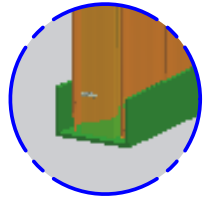
DIMENSIONS		ANGLES	
()	: ±2.00	0°	: ±02' 00"
X.	: ±0.50		
X.0	: ±0.25	0° 0'	: ±00' 30"
X.00	: ±0.08		
X.000	: ±0.02	0° 0' 0"	: ±00' 03"

CAD DRAWING. HANDLING ON CAD SYSTEM ONLY

THIS DRAWING IS OWNED BY CAPOTEX.
COPY OR REPRODUCTION IS FORBIDDEN
WITHOUT PREVIOUS NOTICE

SCALE	DESIGNED	DRAWN	CHECKED	SHEET 2 OF 3	FORMAT
1:20			OCT-10	NAME	A3
DATE	P.GLEZ		J.SAURA	EUR	
SIGNATURE	CAPONOISE (CAPOARC + CAPOSIDE C-1) (GENERAL VIEW)			DRAWING NUMBER	
NAME				CAPONOISE_02	
				CAD FILE	
				CAPONOISE_02 (ingles).dft	

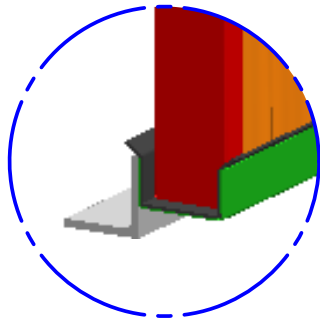
INSTALLATION EXAMPLE



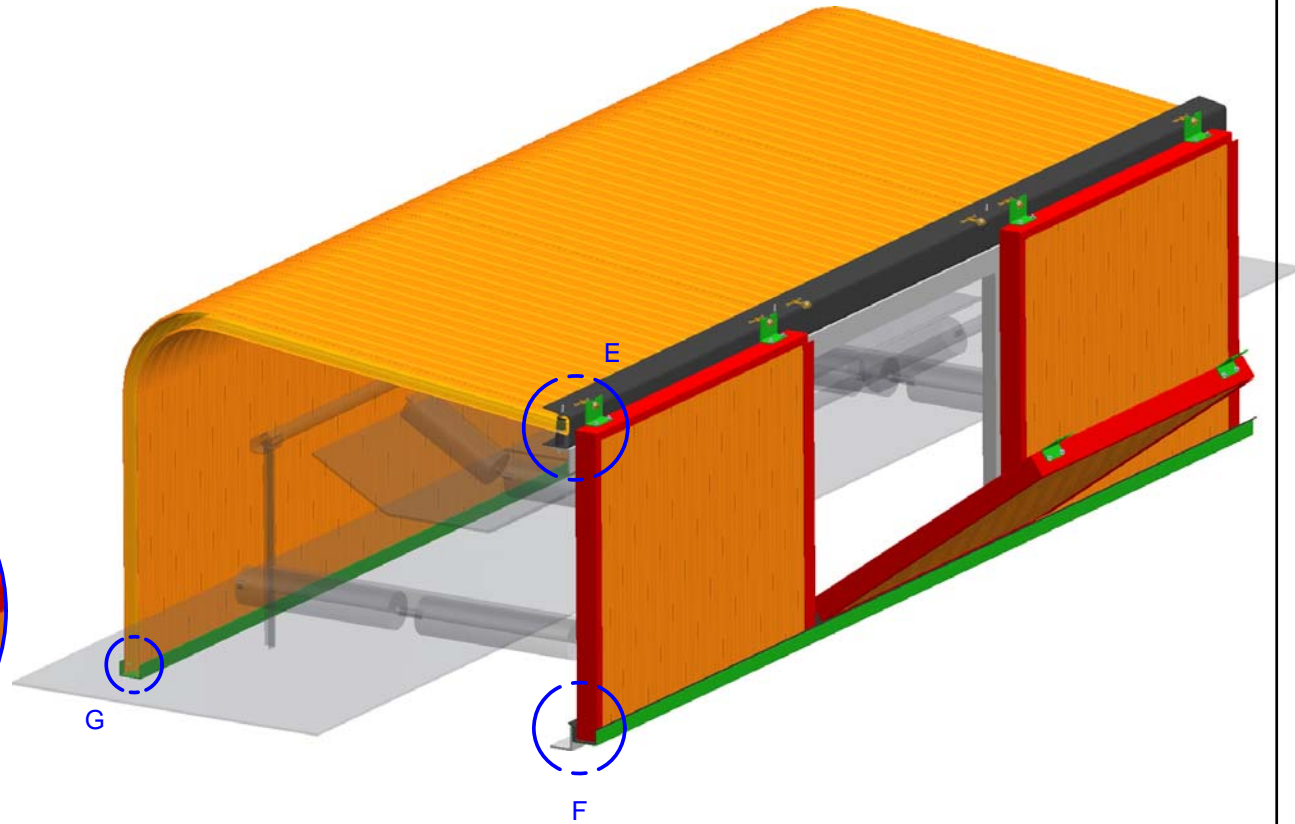
DETAIL G



DETAIL E



DETAIL F



NOT SPECIFIED TOLERANCE

DIMENSIONS		ANGLES	
()	: ±2.00	0°	: ±02' 00"
X.	: ±0.50		
X.0	: ±0.25	0° 0'	: ±00' 30"
X.00	: ±0.08		
X.000	: ±0.02	0° 0' 0"	: ±00' 03"

CAD DRAWING. HANDLING ON CAD SYSTEM ONLY

THIS DRAWING IS OWNED BY CAPOTEX.
COPY OR REPRODUCTION IS FORBIDDEN
WITHOUT PREVIOUS NOTICE

SCALE	DESIGNED	DRAWN	CHECKED	SHEET 3 OF 3	FORMAT
1:20			OCT-10		A3
DATE	SIGNATURE	P.GLEZ	J.SAURA	NAME	EUR

NAME
CAPONOISE
(CAPOARC + CAPOSIDE C-1)
(GENERAL VIEW)

DRAWING NUMBER
CAPONOISE_02
CAD FILE
CAPONOISE_02 (ingles).dft