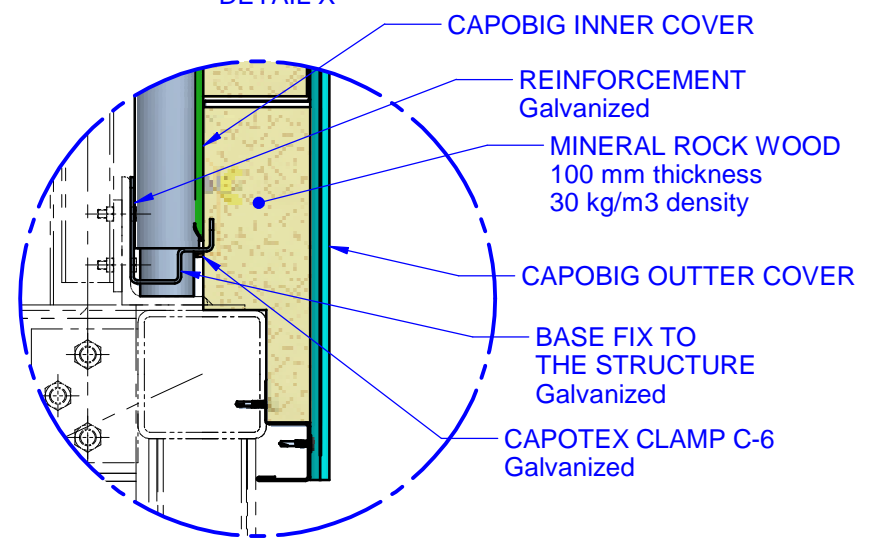
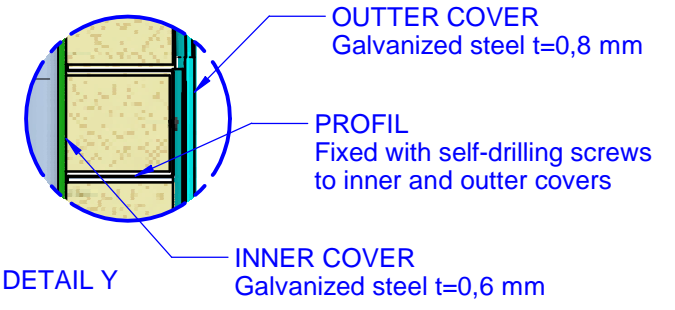


DETAIL X



DETAIL Z



DETAIL Y

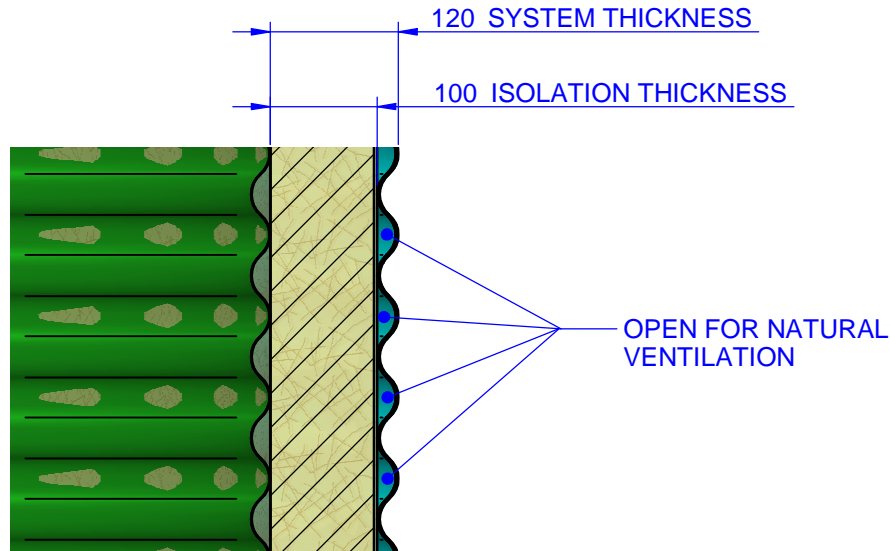


NOT SPECIFIED TOLERANCE			
DIMENSIONS		ANGLES	
()	: ±2.00	0°	: ±02' 00"
X.	: ±0.50		
X.0	: ±0.25	0° 0'	: ±00' 30"
X.00	: ±0.08		
X.000	: ±0.02	0° 0' 0"	: ±00' 03"

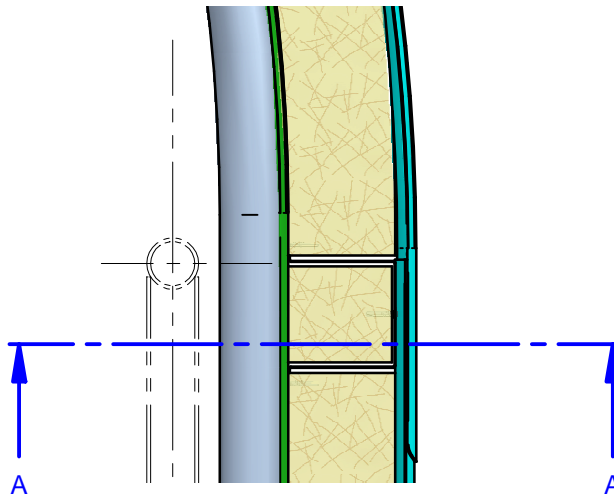
CAD DRAWING. HANDLING ON CAD SYSTEM ONLY

THIS DRAWING IS OWNED BY **CAPOTEX**.
COPY OR REPRODUCTION IS FORBIDDEN
WITHOUT PREVIOUS NOTICE

SCALE	DESIGNED	DRAWN	CHECKED	SHEET 1 OF 4	FORMAT
1:20	DATE 29-04-15			EUR	A3
NAME	SIGNATURE P.GLEZ		J.SAURA	DRAWING NUMBER	
CAPOTEX CAPOBIG INSULATED COVER (General Drawing)				CAD FILE	
				CAPOTEX CAPOBIG INSULATED C	



SECCION A-A



NOT SPECIFIED TOLERANCE

DIMENSIONS		ANGLES	
()	: ±2.00	0°	: ±02' 00"
X.	: ±0.50	0° 0'	: ±00' 30"
X.0	: ±0.25	0° 0' 0"	: ±00' 03"
X.00	: ±0.08		
X.000	: ±0.02		

CAD DRAWING. HANDLING ON CAD SYSTEM ONLY

THIS DRAWING IS OWNED BY CAPOTEX.
COPY OR REPRODUCTION IS FORBIDDEN
WITHOUT PREVIOUS NOTICE

SCALE	DESIGNED	DRAWN	CHECKED	SHEET 2 OF 4	FORMAT
1:20	29-04-15	.	.	NAME	EUR
	SIGNATURE	P.GLEZ	J.SAURA	A3	

NAME
CAPOTEX CAPOBIG INSULATED COVER
(General Drawing)

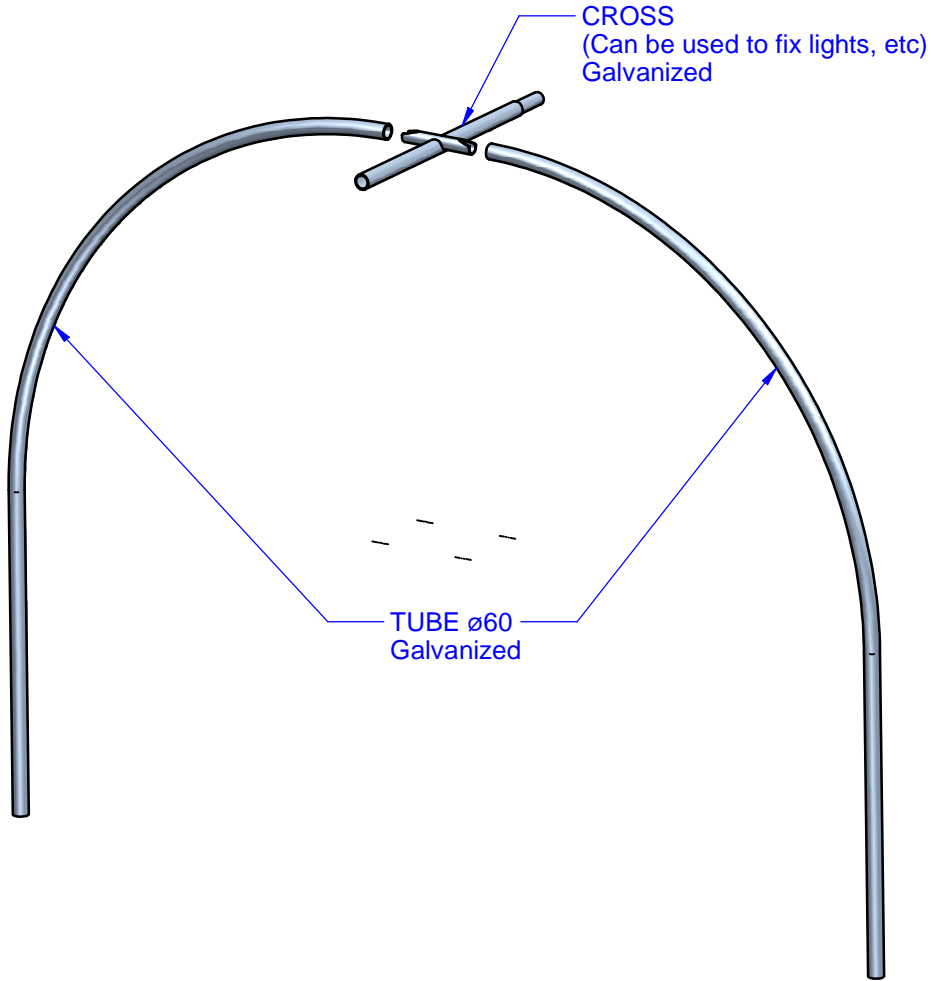
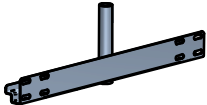
DRAWING NUMBER
CAD FILE
CAPOTEX CAPOBIG INSULATED C

REINFORCEMENT STRUCTURE

Galvanized

BASEMENT STRUCTURE

Galvanized

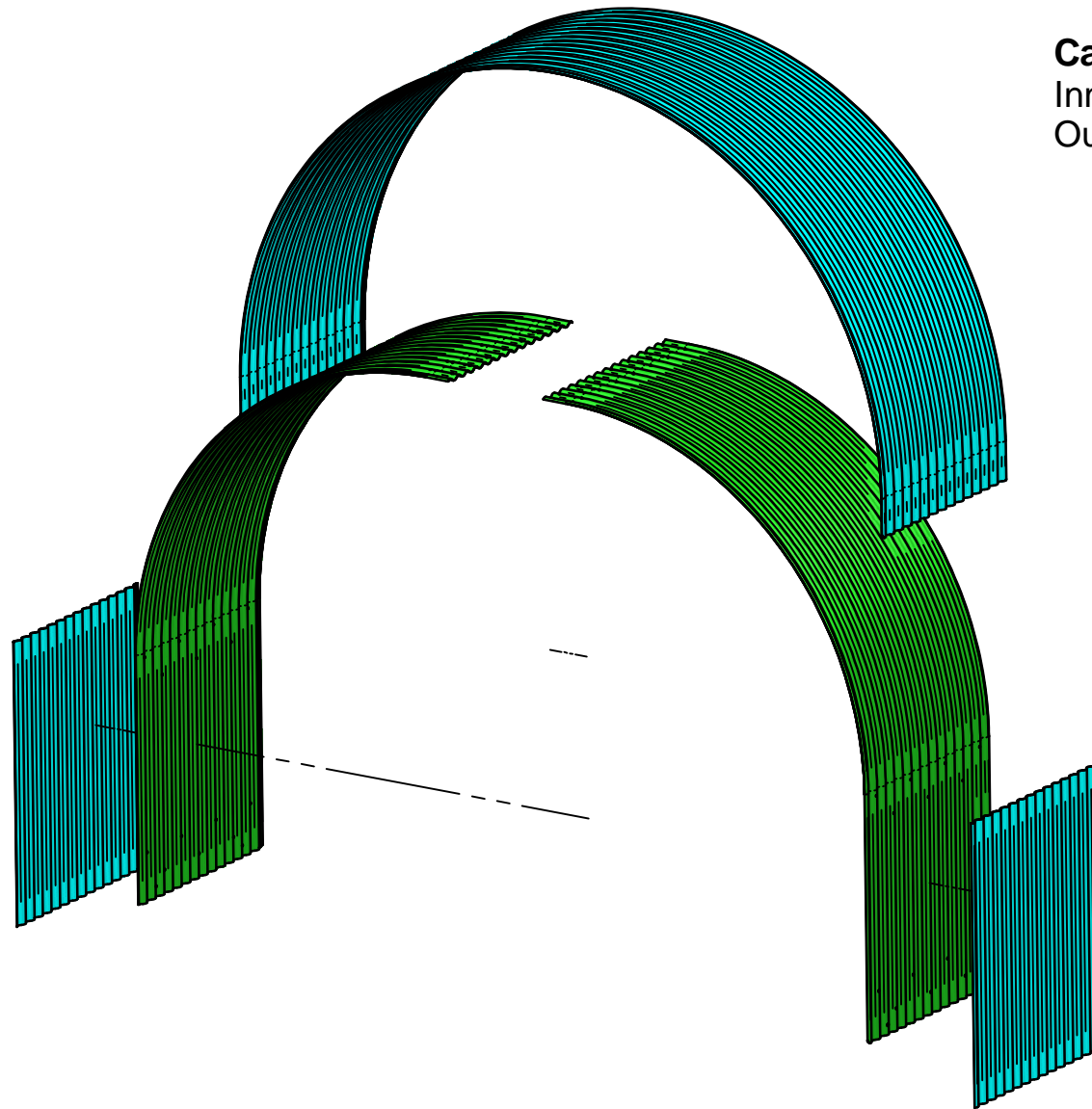


NOT SPECIFIED TOLERANCE			
DIMENSIONS		ANGLES	
()	: ±2.00	0°	: ±02' 00"
X.	: ±0.50		
X.0	: ±0.25	0° 0'	: ±00' 30"
X.00	: ±0.08		
X.000	: ±0.02	0° 0' 0"	: ±00' 03"

CAD DRAWING. HANDLING ON CAD SYSTEM ONLY

THIS DRAWING IS OWNED BY **CAPOTEX**.
COPY OR REPRODUCTION IS FORBIDDEN
WITHOUT PREVIOUS NOTICE

SCALE	DESIGNED	DRAWN	CHECKED	SHEET 3 OF 4	FORMAT
1:20	29-04-15	.	.	NAME	A3
	SIGNATURE	P.GLEZ	J.SAURA	EUR	
NAME				DRAWING NUMBER	
CAPOTEX CAPOBIG INSULATED COVER (General Drawing)				.	
				CAD FILE	
				CAPOTEX CAPOBIG INSULATED C	



CapoBIG(R) COVER

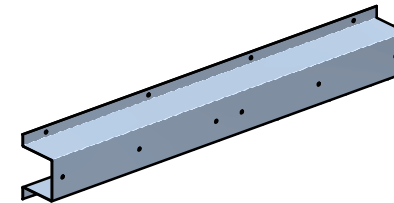
Inner Galvanized steel t=0.6 mm (2 pieces)
 Outer Galvanized steel t=0.8 mm (3 pieces)



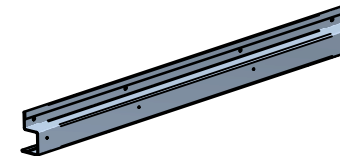
CAPOTEX CLAMP C-6
 Galvanized



**HOOK +
 NEOPREN WASHERS +
 NUTS**
 Dacromet 500A



OMEGA PROFIL
 Galvanized t=1mm



"Z" PROFIL
 Galvanized t=2mm



NOT SPECIFIED TOLERANCE

DIMENSIONS		ANGLES	
()	: ±2.00	0°	: ±02' 00"
X.	: ±0.50		
X.0	: ±0.25	0° 0'	: ±00' 30"
X.00	: ±0.08		
X.000	: ±0.02	0° 0' 0"	: ±00' 03"

CAD DRAWING. HANDLING ON CAD SYSTEM ONLY

THIS DRAWING IS OWNED BY **CAPOTEX**.
 COPY OR REPRODUCTION IS FORBIDDEN
 WITHOUT PREVIOUS NOTICE

SCALE	1:20	DESIGNED	29-04-15	DRAWN	.	CHECKED	J.SAURA	SHEET 4 OF 4	FORMAT A3
DATE		SIGNATURE	P.GLEZ					EUR	
NAME	CAPOTEX CAPOBIG INSULATED COVER (General Drawing)							DRAWING NUMBER	.
								CAD FILE	CAPOTEX CAPOBIG INSULATED C