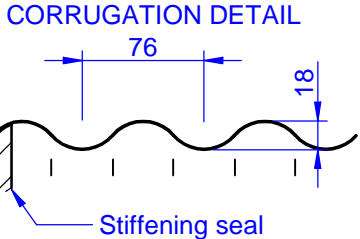
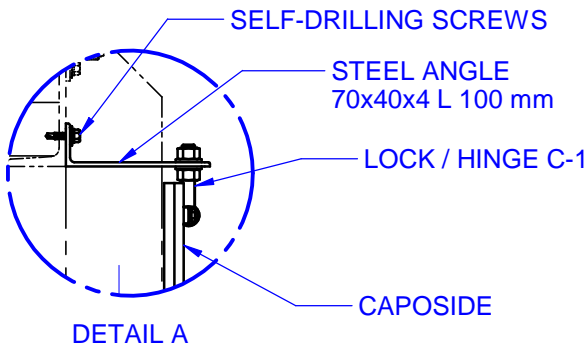


STEEL SQUARE 40x40x3 WELDED OR SCREWED TO THE STRUCTURE IF NECESSARY

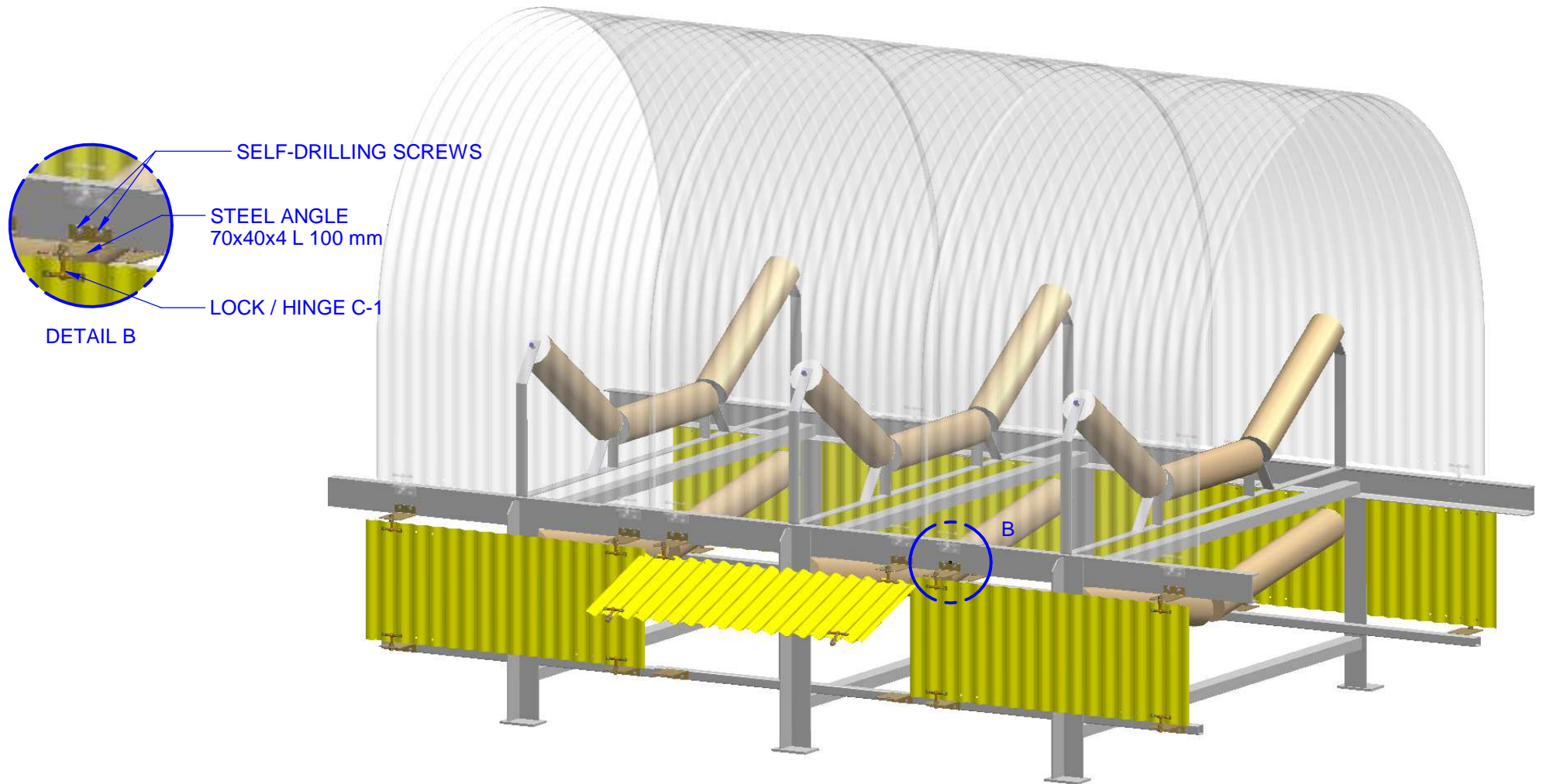
LOCK / HINGE C-1



Sheet thickness 0.6mm and 1.2mm. in edges.

	NOT SPECIFIED TOLERANCE		CAD DRAWING. HANDLING ON CAD SYSTEM ONLY		SCALE	DESIGNED	DRAWN	CHECKED	SHEET 1 OF 4	FORMAT	
	DIMENSIONS () : ±2.00 X. : ±0.50 X.0 : ±0.25 X.00 : ±0.08 X.000 : ±0.02		ANGLES 0° : ±02' 00" 0° 0' : ±00' 30" 0° 0' 0" : ±00' 03"		THIS DRAWING IS OWNED BY CAPOTEX. COPY OR REPRODUCTION IS FORBIDDEN WITHOUT PREVIOUS NOTICE	DATE	ENE-11				A3
						SIGNATURE	P.GLEZ		J.SAURA		NAME
				NAME		CAPOSIDE C-1		DRAWING NUMBER			CAPOSIDE_01
								CAD FILE		CAPOSIDE_01 (ingles).dft	

INSTALLATION EXAMPLE OPTION 1



NOT SPECIFIED TOLERANCE

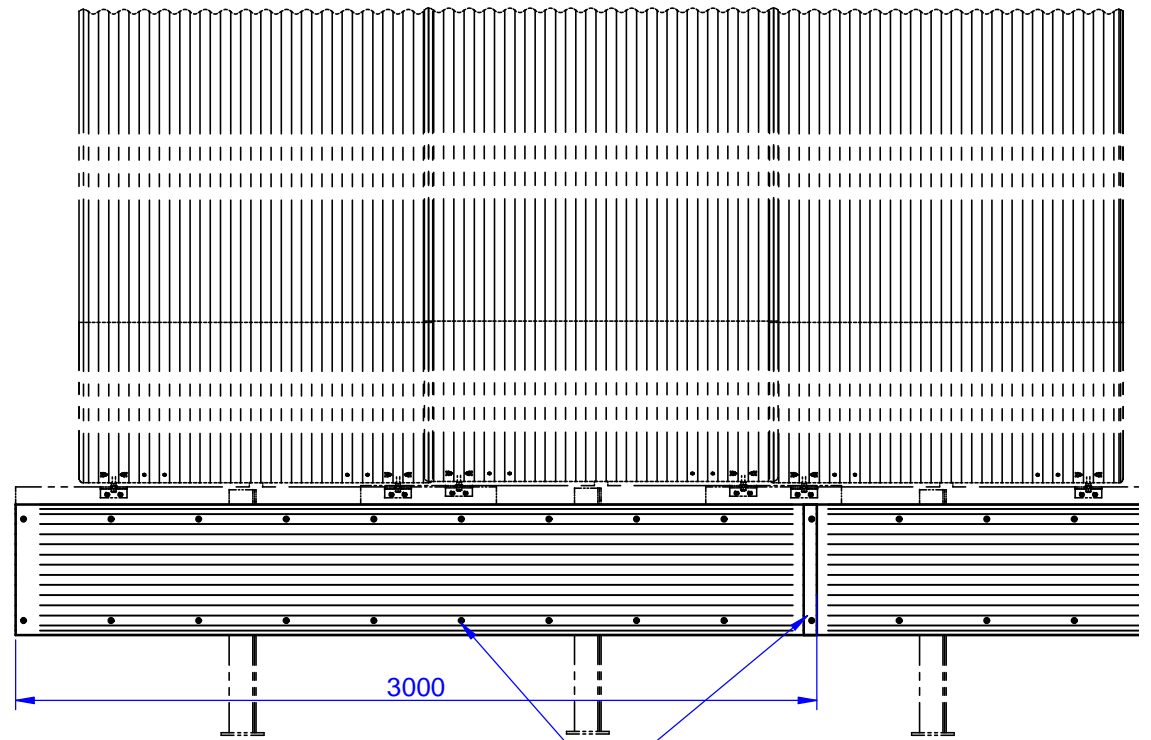
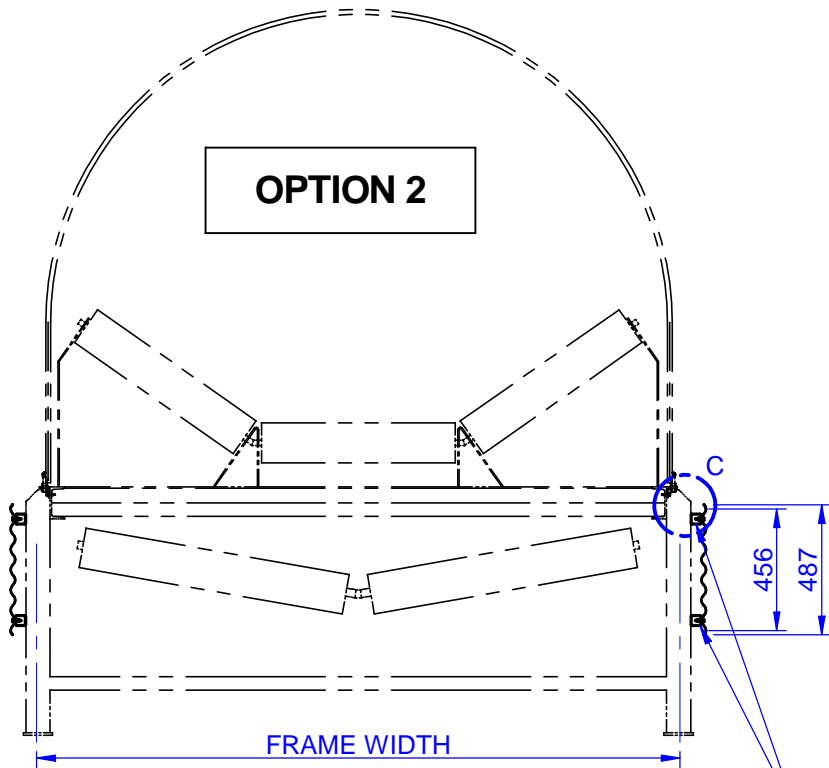
DIMENSIONS		ANGLES	
()	: ±2.00	0°	: ±02' 00"
X.	: ±0.50		
X.0	: ±0.25	0° 0'	: ±00' 30"
X.00	: ±0.08		
X.000	: ±0.02	0° 0' 0"	: ±00' 03"

CAD DRAWING. HANDLING ON CAD SYSTEM ONLY

THIS DRAWING IS OWNED BY CAPOTEX.
COPY OR REPRODUCTION IS FORBIDDEN
WITHOUT PREVIOUS NOTICE

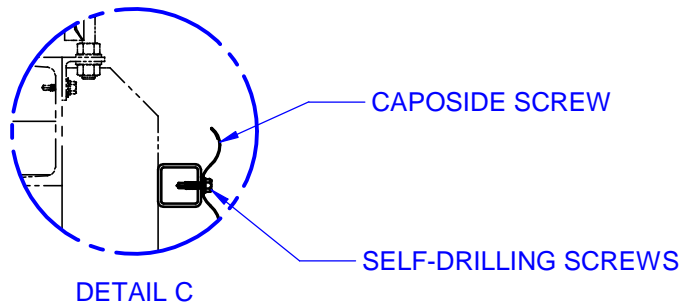
SCALE	DESIGNED	DRAWN	CHECKED	SHEET 2 OF 4	FORMAT
-	ENE-11	.	.	NAME	A3
	DATE			EUR	
	SIGNATURE	P.GLEZ	J.SAURA		
NAME				DRAWING NUMBER	
CAPOSIDE C-1				CAPOSIDE_01	
				CAD FILE	
				CAPOSIDE_01 (ingles).dft	

OPTION 2

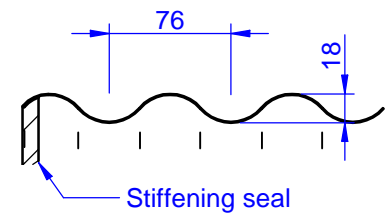


STEEL SQUARE 40x40x3 WELDED OR SCREWED TO THE STRUCTURE IF NECESSARY

SELF-DRILLING SCREWS



CORRUGATION DETAIL



Sheet thickness 0.6mm and 1.2mm. in edges.



NOT SPECIFIED TOLERANCE

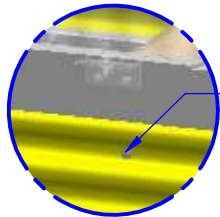
DIMENSIONS		ANGLES	
()	: ±2.00	0°	: ±02' 00"
X.	: ±0.50		
X.0	: ±0.25	0° 0'	: ±00' 30"
X.00	: ±0.08		
X.000	: ±0.02	0° 0' 0"	: ±00' 03"

CAD DRAWING. HANDLING ON CAD SYSTEM ONLY

THIS DRAWING IS OWNED BY CAPOTEX. COPY OR REPRODUCTION IS FORBIDDEN WITHOUT PREVIOUS NOTICE

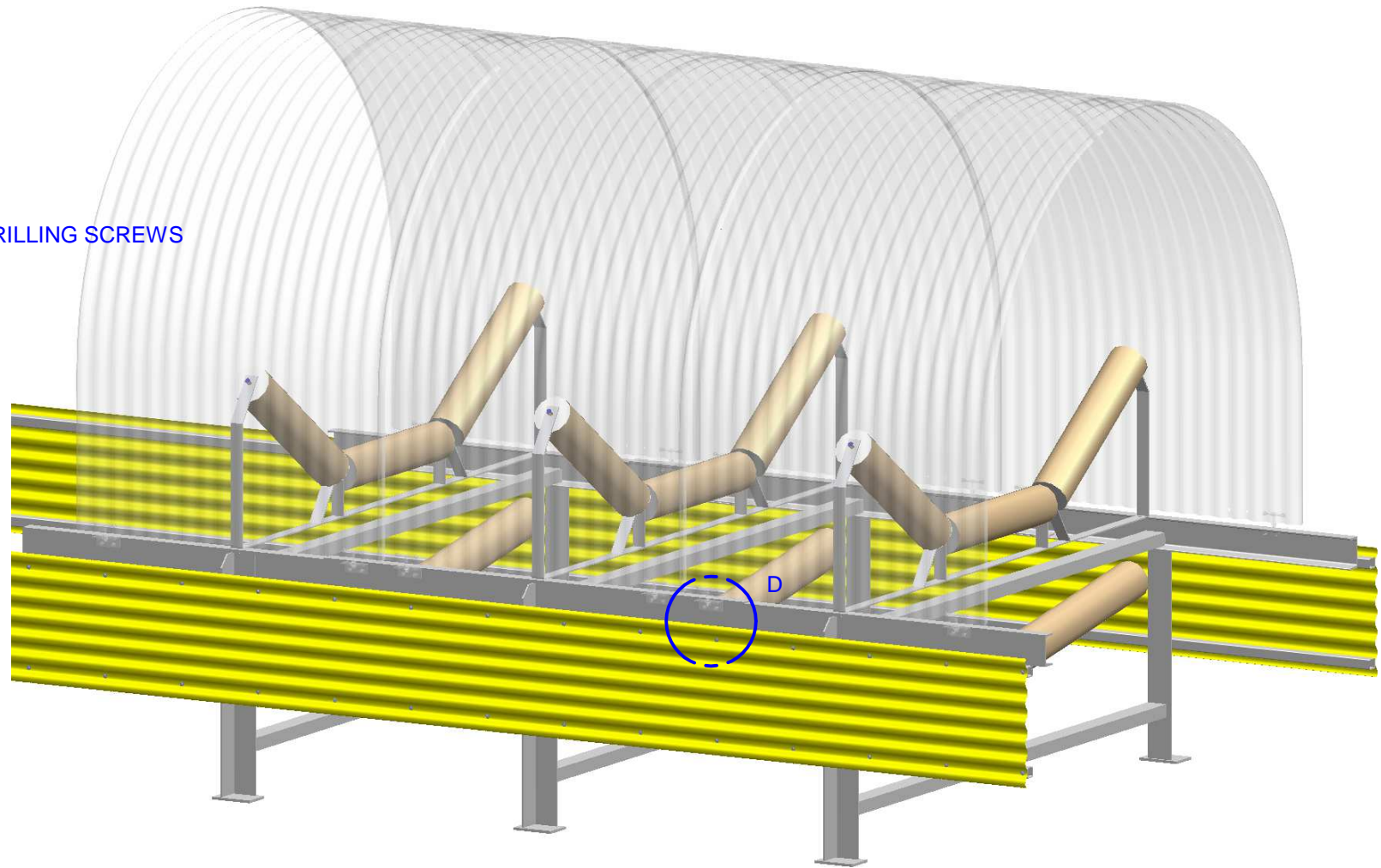
SCALE	DESIGNED	DRAWN	CHECKED	SHEET 3 OF 4	FORMAT
-	ENE-11	.	.	EUR	A3
DATE	SIGNATURE	P.GLEZ	J.SAURA	DRAWING NUMBER	
				CAPOSIDE_01	
NAME	CAPOSIDE SCREW			CAD FILE	
				CAPOSIDE_01 (ingles).dft	

INSTALLATION EXAMPLE OPTION 2



SELF-DRILLING SCREWS

DETAIL D



NOT SPECIFIED TOLERANCE

DIMENSIONS

()	: ±2.00
X.	: ±0.50
X.0	: ±0.25
X.00	: ±0.08
X.000	: ±0.02

ANGLES

0°	: ±02' 00"
0° 0'	: ±00' 30"
0° 0' 0"	: ±00' 03"

CAD DRAWING. HANDLING ON CAD SYSTEM ONLY

THIS DRAWING IS OWNED BY CAPOTEX.
COPY OR REPRODUCTION IS FORBIDDEN
WITHOUT PREVIOUS NOTICE

SCALE

-

NAME

CAPOSIDE SCREW

DESIGNED

ENE-11

DRAWN

.

CHECKED

J.SAURA

SHEET 4 OF 4

NAME

EUR

FORMAT

A3

DRAWING NUMBER

CAPOSIDE_01

CAD FILE

CAPOSIDE_01 (ingles).dft