

Sheet thickness 0.6mm and
1.2mm. in edges.



NOT SPECIFIED TOLERANCE

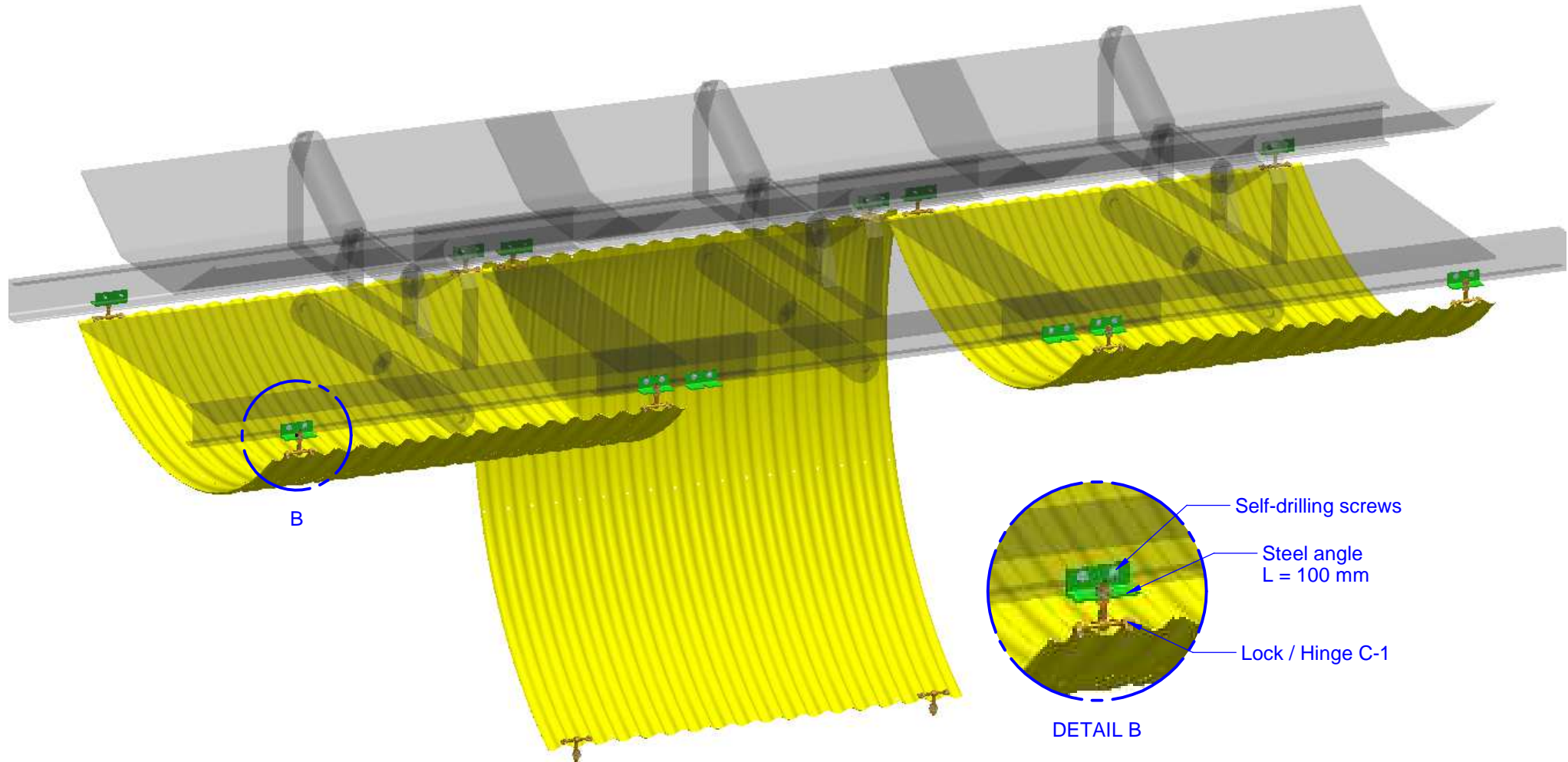
DIMENSIONS		ANGLES	
()	: ±2.00	0°	: ±02' 00"
X.	: ±0.50		
X.0	: ±0.25	0° 0'	: ±00' 30"
X.00	: ±0.08		
X.000	: ±0.02	0° 0' 0"	: ±00' 03"

CAD DRAWING. HANDLING ON CAD SYSTEM ONLY

THIS DRAWING IS OWNED BY CAPOTEX.
COPY OR REPRODUCTION IS FORBIDDEN
WITHOUT PREVIOUS NOTICE

SCALE		DESIGNED	DRAWN	CHECKED	SHEET 1 OF 2	FORMAT
DATE	10-03-09				EUR	A3
SIGNATURE	P.GLEZ			J.SAURA		
NAME	CAPOTRAY COVER (General view)				DRAWING NUMBER	
					CAD FILE	CAPOTRAY (ingles).dft


INSTALLATION EXAMPLE



B

DETAIL B

- Self-drilling screws
- Steel angle
L = 100 mm
- Lock / Hinge C-1

	NOT SPECIFIED TOLERANCE		CAD DRAWING. HANDLING ON CAD SYSTEM ONLY THIS DRAWING IS OWNED BY CAPOTEX . COPY OR REPRODUCTION IS FORBIDDEN WITHOUT PREVIOUS NOTICE	SCALE		DESIGNED	DRAWN	CHECKED	SHEET 2 OF 2	FORMAT	
	DIMENSIONS			ANGLES		DATE	10-03-09			NAME	A3
	()	: ±2.00		0°	: ±02' 00"	SIGNATURE	P.GLEZ		J.SAURA	EUR	
X.	: ±0.50	0° 0'	: ±00' 30"	NAME		CAPOTRAY COVER (General view)				DRAWING NUMBER	
X.0	: ±0.25	0° 0' 0"	: ±00' 03"								CAD FILE
X.00	: ±0.08										CAPOTRAY (ingles).dft
X.000	: ±0.02										