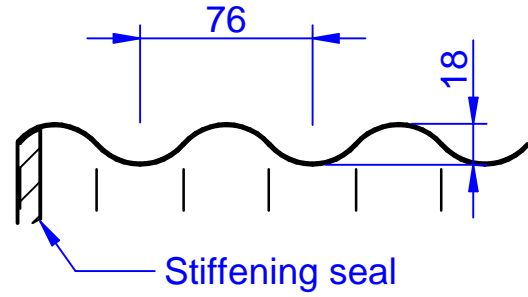
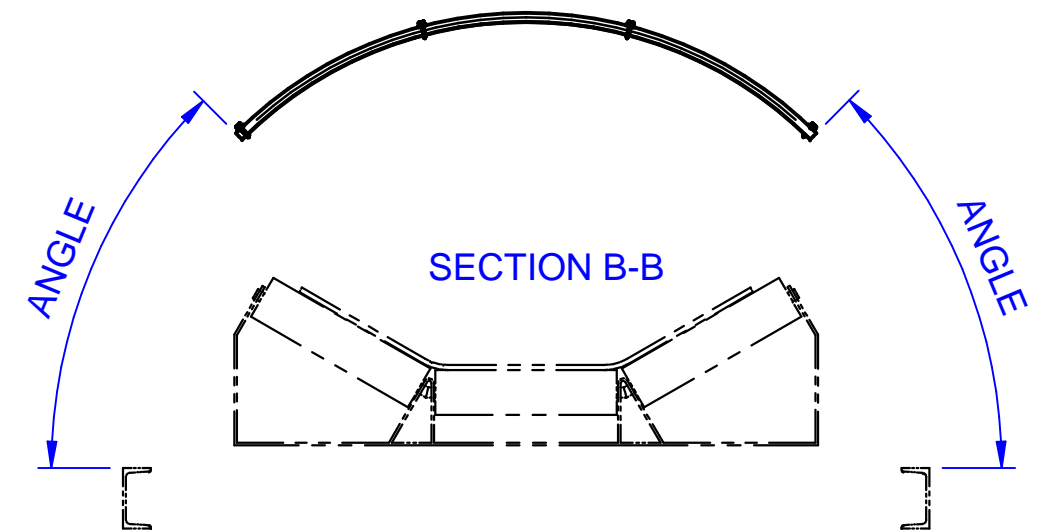
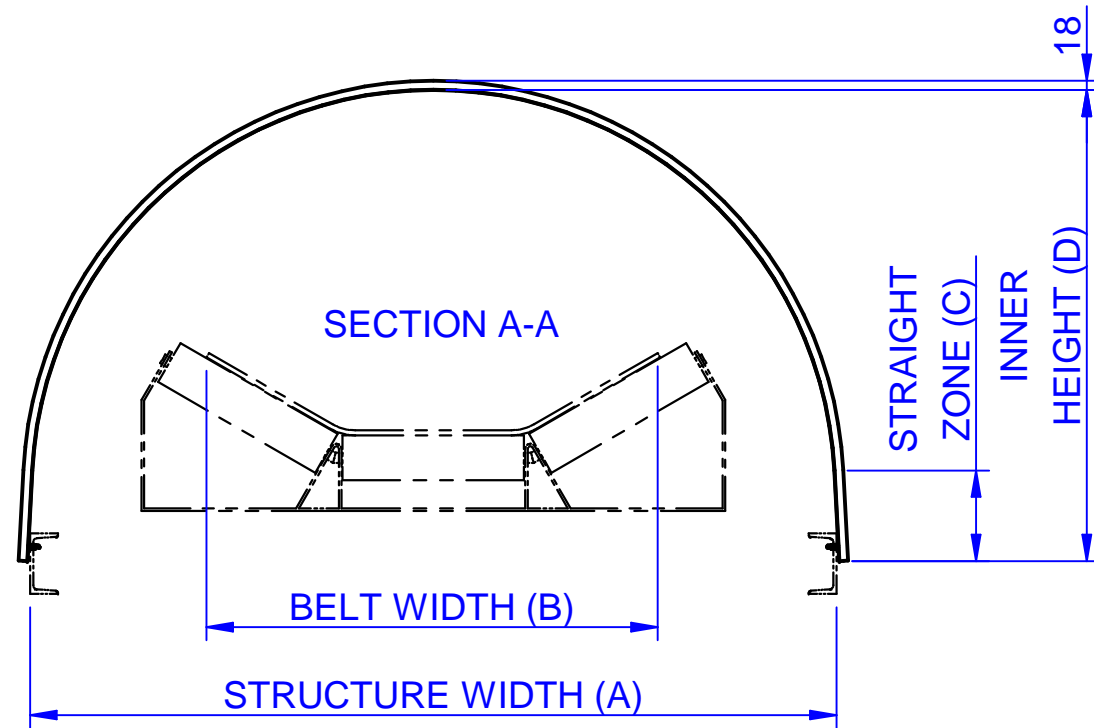
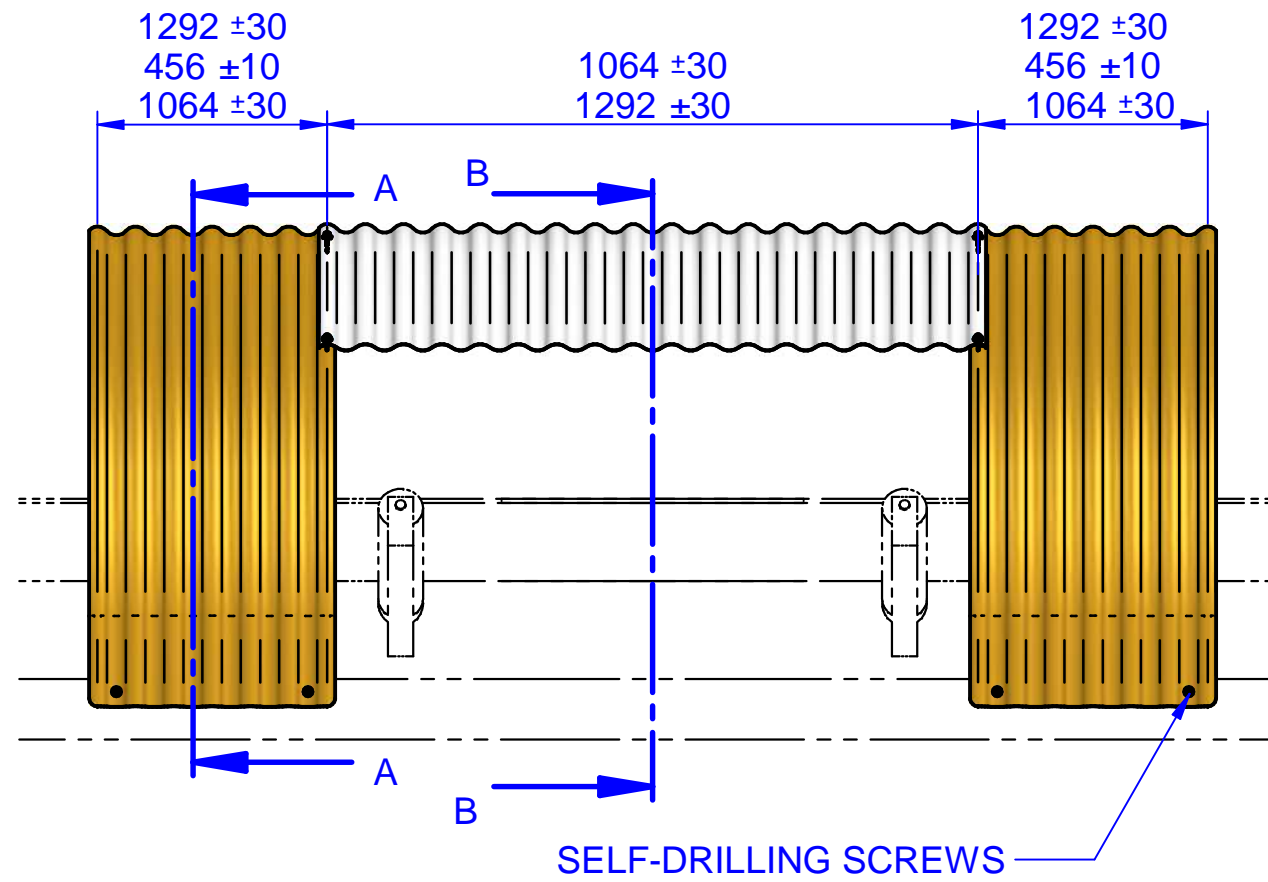


CORRUGATION DETAIL



Sheet thickness 0.6mm and 1.2mm. in edges.



NOT SPECIFIED TOLERANCE

DIMENSIONS		ANGLES	
()	: ±2.00	0°	: ±02' 00"
X.	: ±0.50	0° 0'	: ±00' 30"
X.0	: ±0.25	0° 0' 0"	: ±00' 03"
X.00	: ±0.08		
X.000	: ±0.02		

CAD DRAWING. HANDLING ON CAD SYSTEM ONLY

THIS DRAWING IS OWNED BY **CAPOTEX**.
COPY OR REPRODUCTION IS FORBIDDEN
WITHOUT PREVIOUS NOTICE

SCALE	DESIGNED	DRAWN	CHECKED	SHEET 2 OF 4	FORMAT
1:1				EUR	A3
NAME	SIGNATURE				
	M. MATILLA				

**BERLIN CLASSIC COVER
(GENERAL VIEW)**

DRAWING NUMBER
CAD FILE
CAPOTAJE BERLIN REV. C.dft