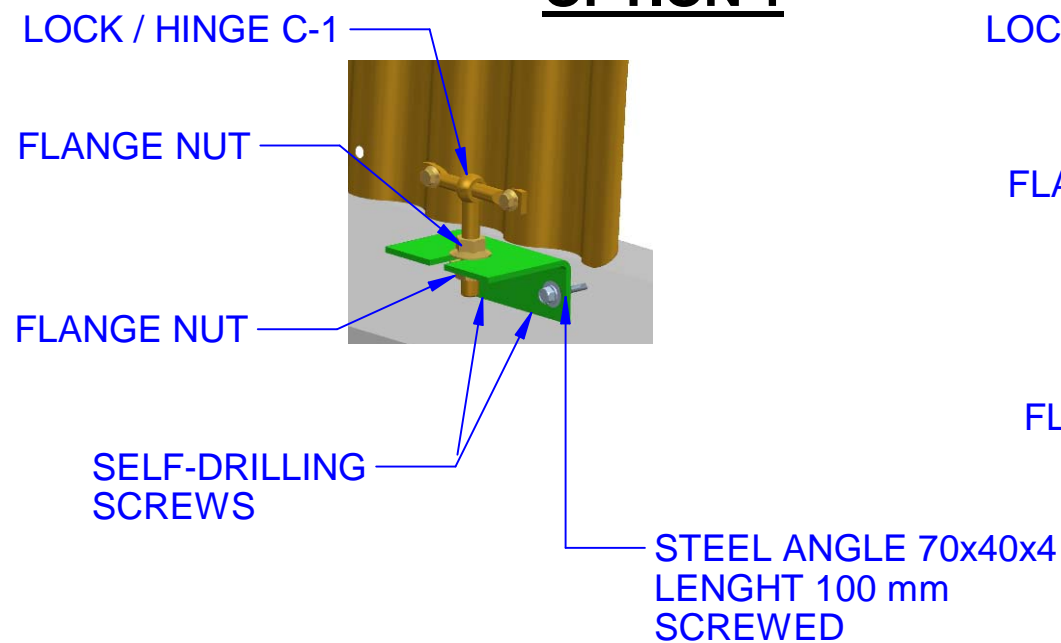
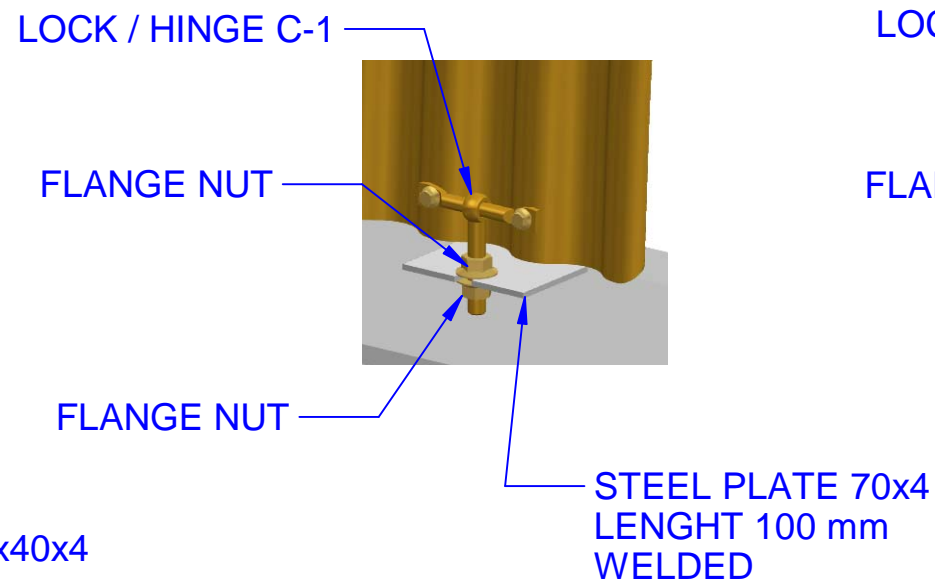


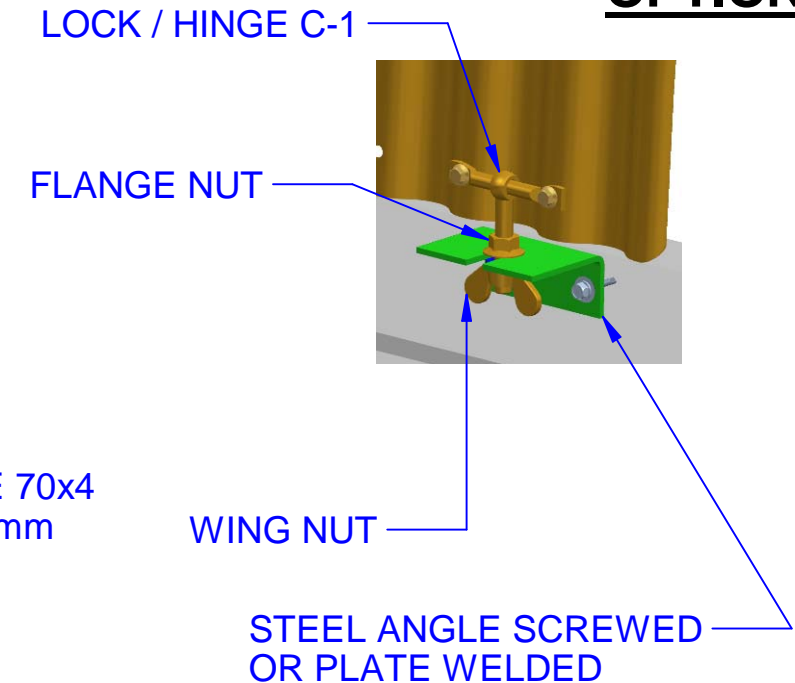
**OPTION 1**



**OPTION 2**



**OPTION 3**



NOT SPECIFIED TOLERANCE	
DIMENSIONS	ANGLES
( ) : ±2.00	0° : ±02' 00"
X. : ±0.50	0° 0' : ±00' 30"
X.0 : ±0.25	0° 0' 0" : ±00' 03"
X.00 : ±0.08	
X.000 : ±0.02	

CAD DRAWING. HANDLING ON CAD SYSTEM ONLY

THIS DRAWING IS OWNED BY **CAPOTEX**.  
COPY OR REPRODUCTION IS FORBIDDEN  
WITHOUT PREVIOUS NOTICE

SCALE	DESIGNED	DRAWN	CHECKED	SHEET 2 OF 4	FORMAT
1:1				NAME	EUR
NAME	SIGNATURE		M. MATILLA	A3	
MADRID CLASSIC COVER (GENERAL VIEW)				DRAWING NUMBER	
				CAPOTAJE MADRID REV. C.dft	