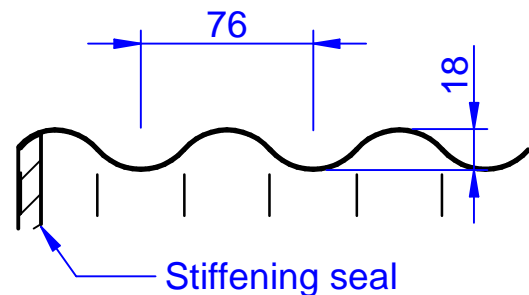
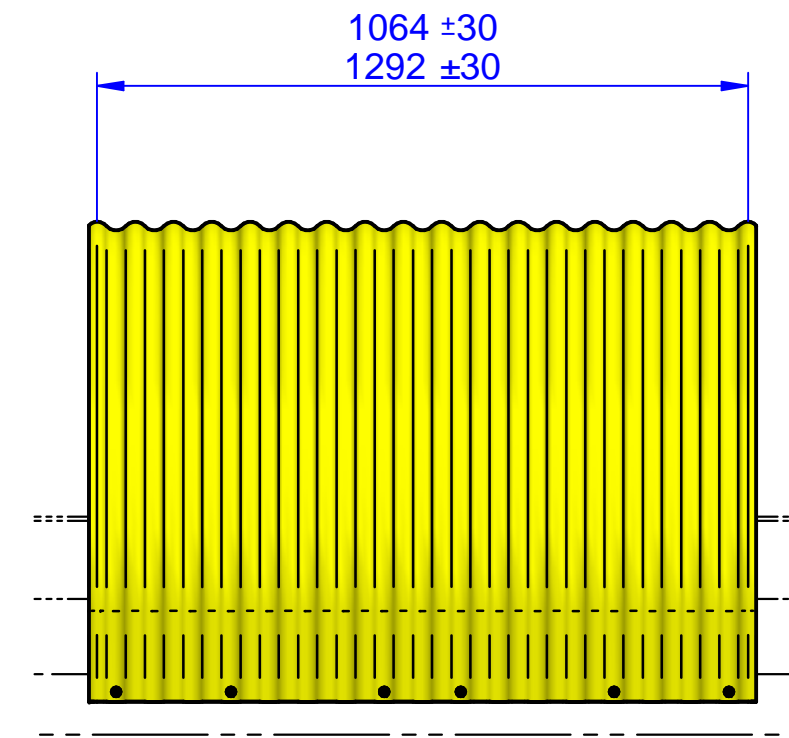
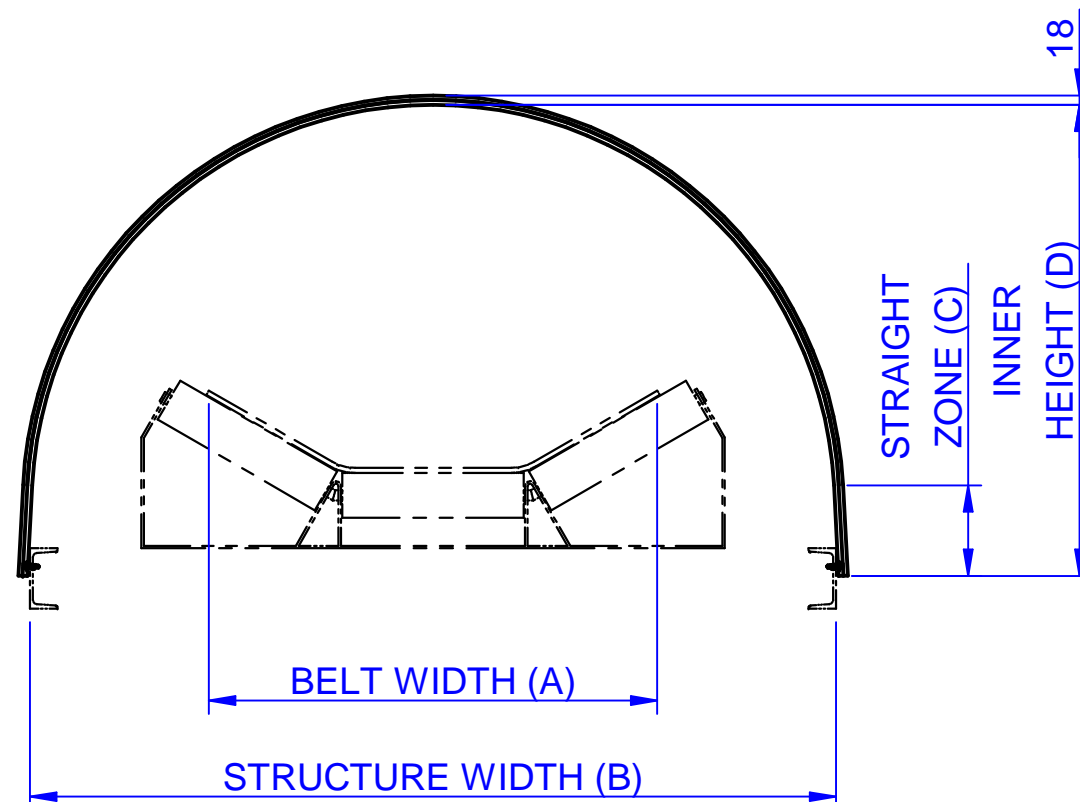


**CORRUGATION DETAIL**



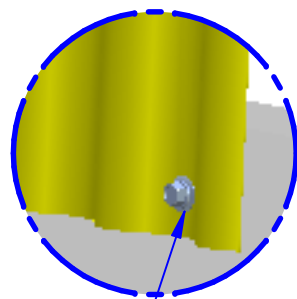
Sheet thickness 0.6mm and 1.2mm. in edges.



OPTION 1

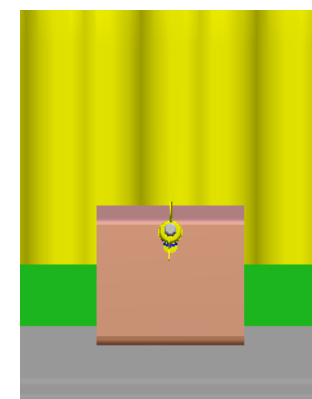
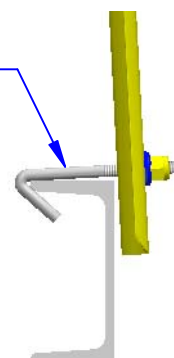
OPTION 2

OPTION 3

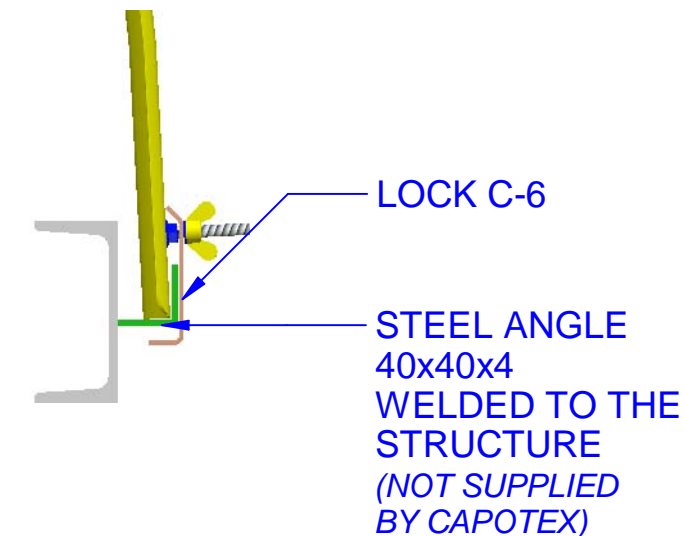


SELF-DRILLING SCREW

HOOK C-9



LOCK C-6



**NOT SPECIFIED TOLERANCE**

DIMENSIONS		ANGLES	
( )	: ±2.00	0°	: ±02' 00"
X.	: ±0.50	0° 0'	: ±00' 30"
X.0	: ±0.25	0° 0' 0"	: ±00' 03"
X.00	: ±0.08		
X.000	: ±0.02		

**CAD DRAWING. HANDLING ON CAD SYSTEM ONLY**

THIS DRAWING IS OWNED BY **CAPOTEX**.  
COPY OR REPRODUCTION IS FORBIDDEN  
WITHOUT PREVIOUS NOTICE

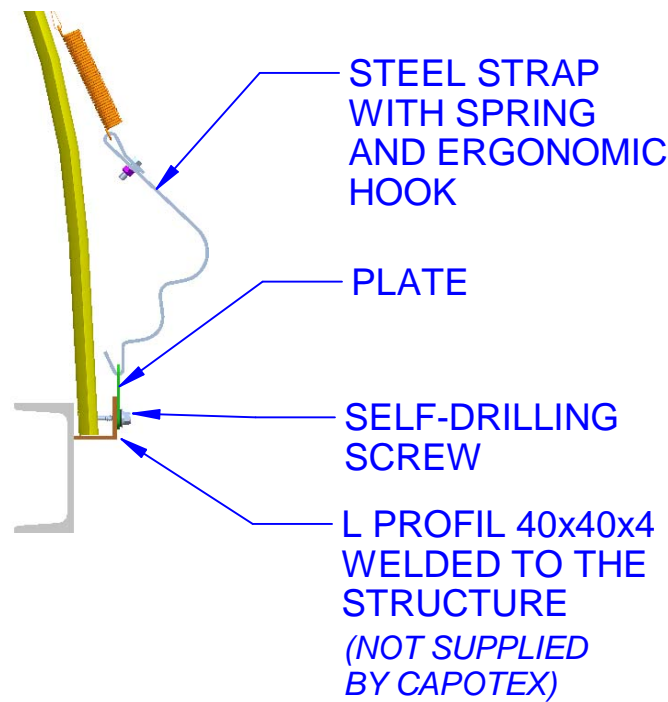
SCALE	DESIGNED	DRAWN	CHECKED	SHEET 3 OF 8	FORMAT
-	M. MATILLA			EUR	A3

**DAKAR CLASSIC COVER  
(GENERAL VIEW)**

DRAWING NUMBER
CAD FILE
CAPOTAJE DAKAR REV.C.dft

OPTION: ERGONOMIC HOOK IN BOTH SIDES

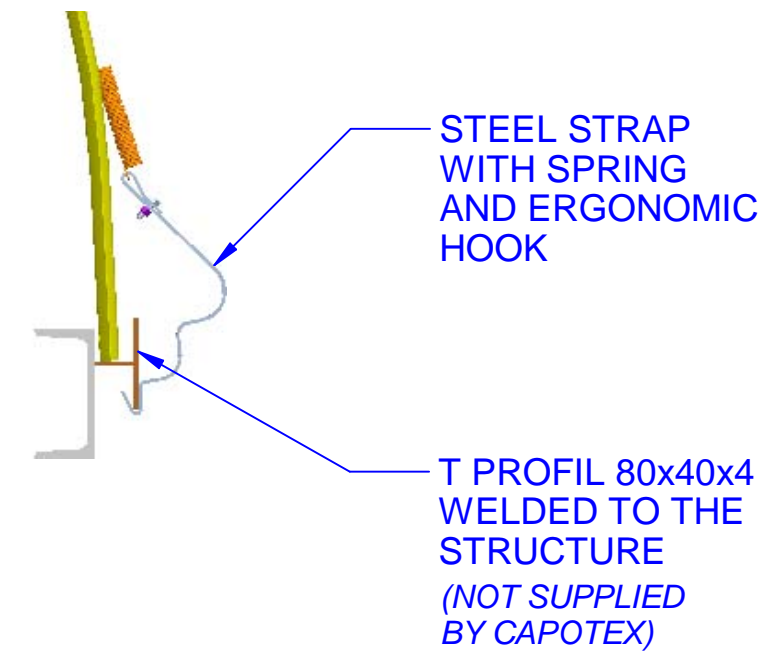
OPTION 4  
WITH PLATE



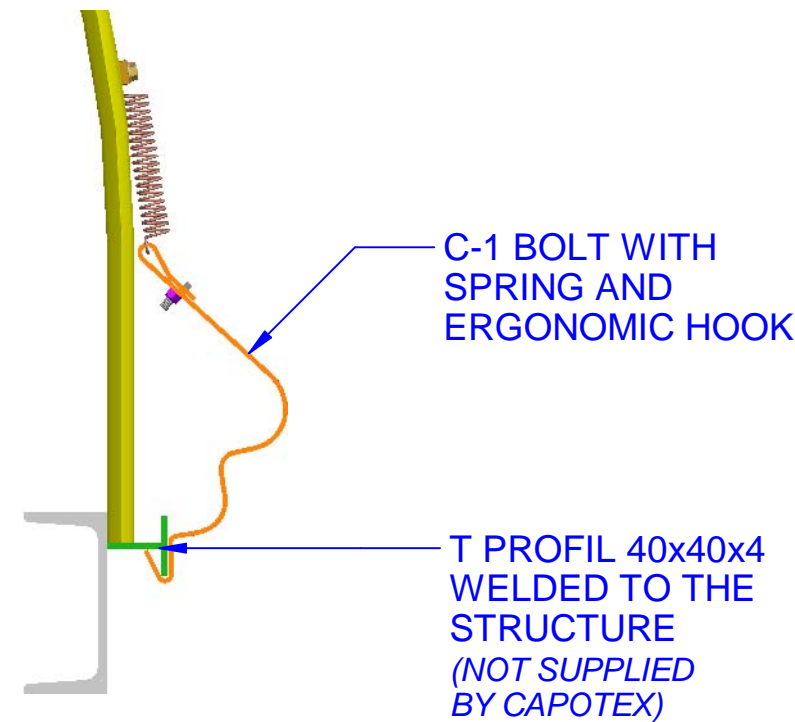
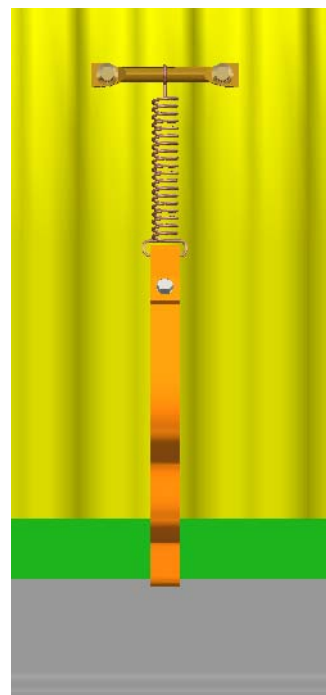
OPTION 4  
WITHOUT PLATE

FLANGE SCREW AND FLANGE NUT

L PROFIL 40x40x4 WELDED TO THE STRUCTURE (NOT SUPPLIED BY CAPOTEX)



OPTION 5



NOT SPECIFIED TOLERANCE			
DIMENSIONS		ANGLES	
( )	: ±2.00	0°	: ±02' 00"
X.	: ±0.50		
X.0	: ±0.25	0° 0'	: ±00' 30"
X.00	: ±0.08		
X.000	: ±0.02	0° 0' 0"	: ±00' 03"

CAD DRAWING. HANDLING ON CAD SYSTEM ONLY

THIS DRAWING IS OWNED BY CAPOTEX. COPY OR REPRODUCTION IS FORBIDDEN WITHOUT PREVIOUS NOTICE

SCALE	DESIGNED	DRAWN	CHECKED	SHEET 4 OF 8	FORMAT
-	M. MATILLA			EUR	A3
NAME				DRAWING NUMBER	
DAKAR CLASSIC COVER (GENERAL VIEW)				CAPOTAJE DAKAR REV.C.dft	

DATE	NAME	EUR
SIGNATURE		