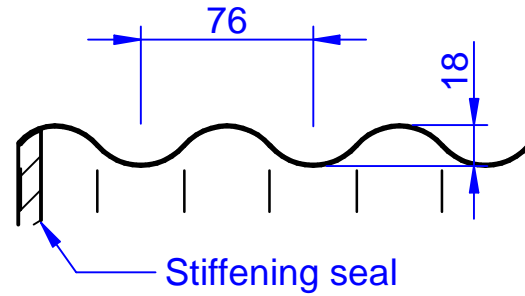
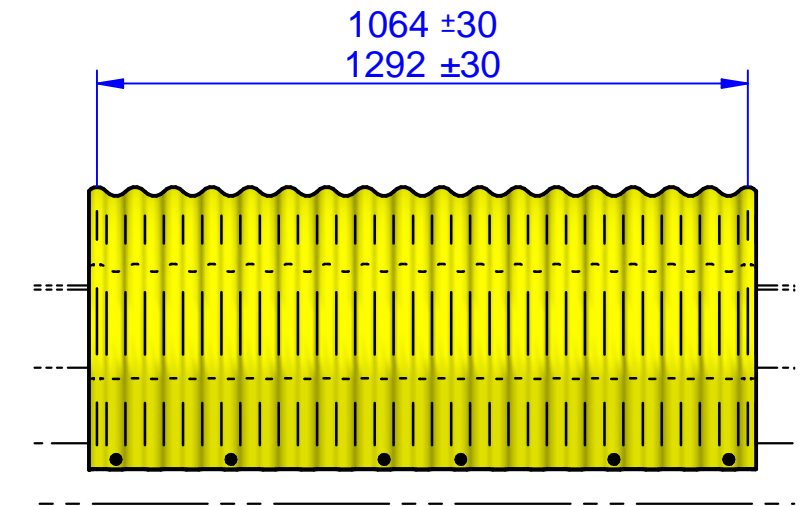
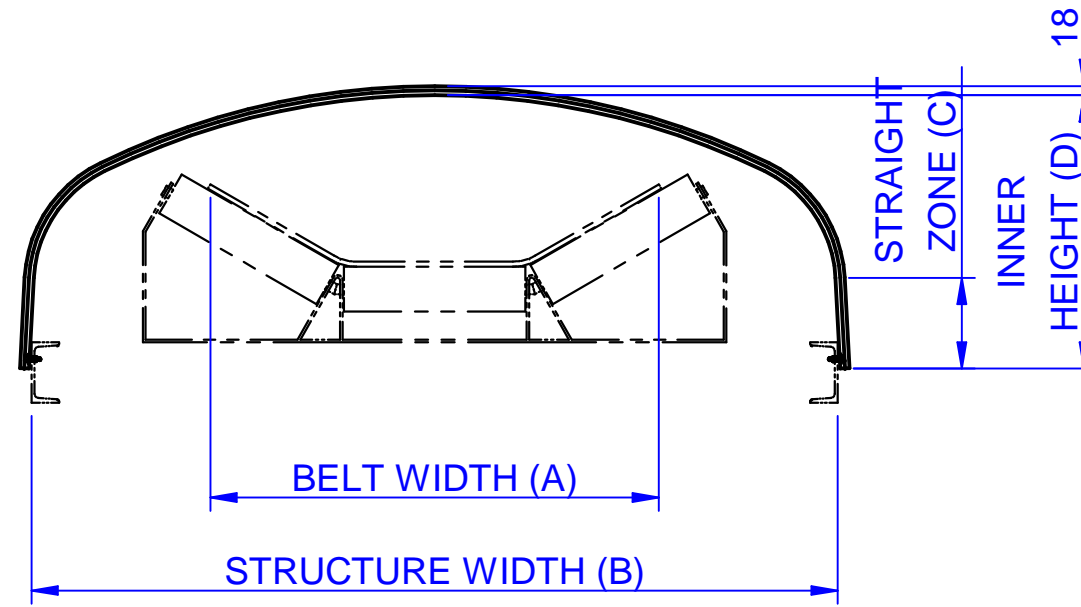


CORRUGATION DETAIL



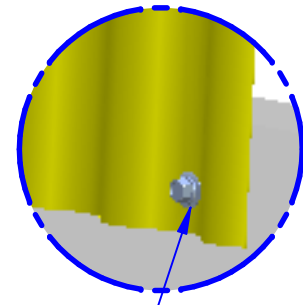
Sheet thickness 0.6mm and 1.2mm. in edges.



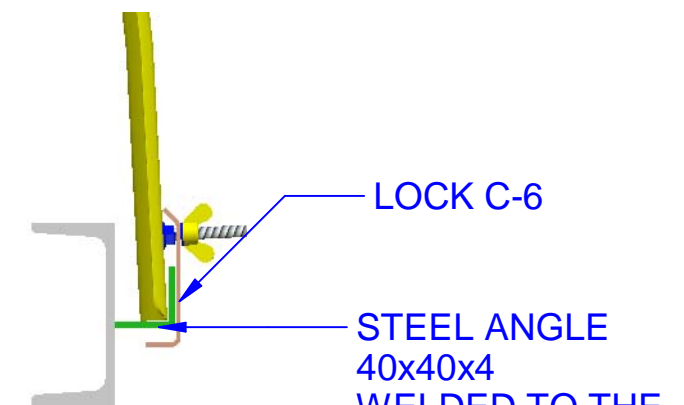
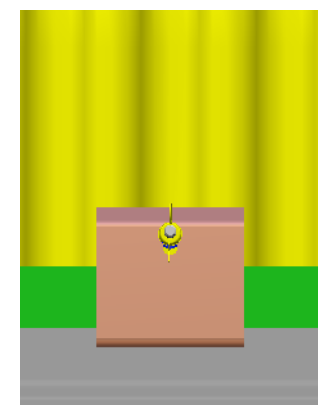
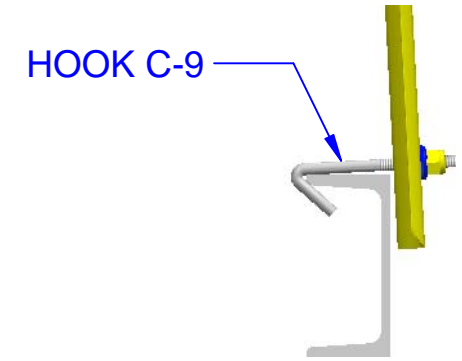
OPTION 1

OPTION 2

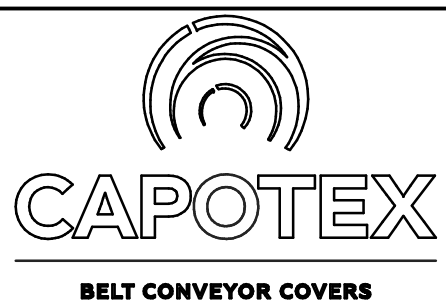
OPTION 3



SELF-DRILLING SCREW



(NOT SUPPLIED BY CAPOTEX)



NOT SPECIFIED TOLERANCE	
DIMENSIONS	ANGLES
() : ±2.00	0° : ±02' 00"
X. : ±0.50	0° 0' : ±00' 30"
X.0 : ±0.25	0° 0' 0" : ±00' 03"
X.00 : ±0.08	
X.000 : ±0.02	

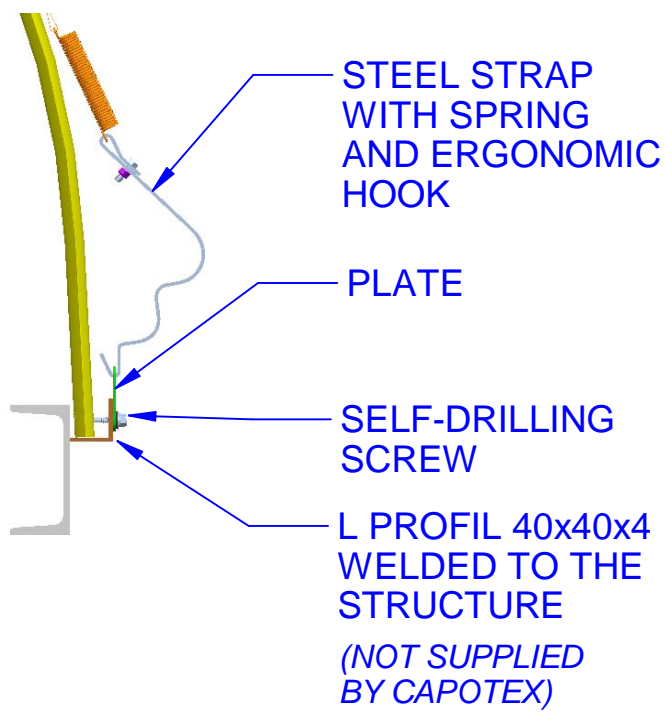
CAD DRAWING. HANDLING ON CAD SYSTEM ONLY

THIS DRAWING IS OWNED BY CAPOTEX. COPY OR REPRODUCTION IS FORBIDDEN WITHOUT PREVIOUS NOTICE

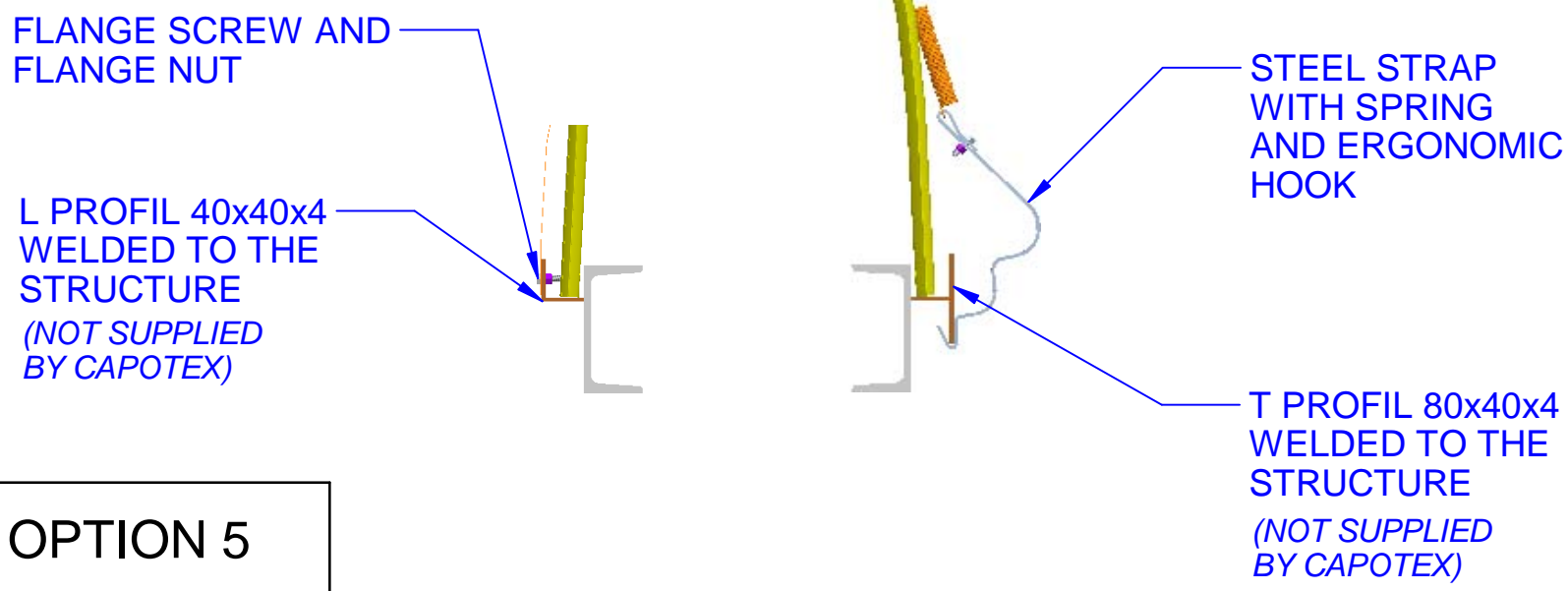
SCALE	DESIGNED	DRAWN	CHECKED	SHEET 3 OF 8	FORMAT
1:1	M. MATILLA			EUR	A3
NAME	DAKAR PLUS COVER (GENERAL VIEW)			DRAWING NUMBER	
				CAD FILE	CAPOTAJE DAKAR PLUS REV.C.dft

OPTION: ERGONOMIC HOOK IN BOTH SIDES

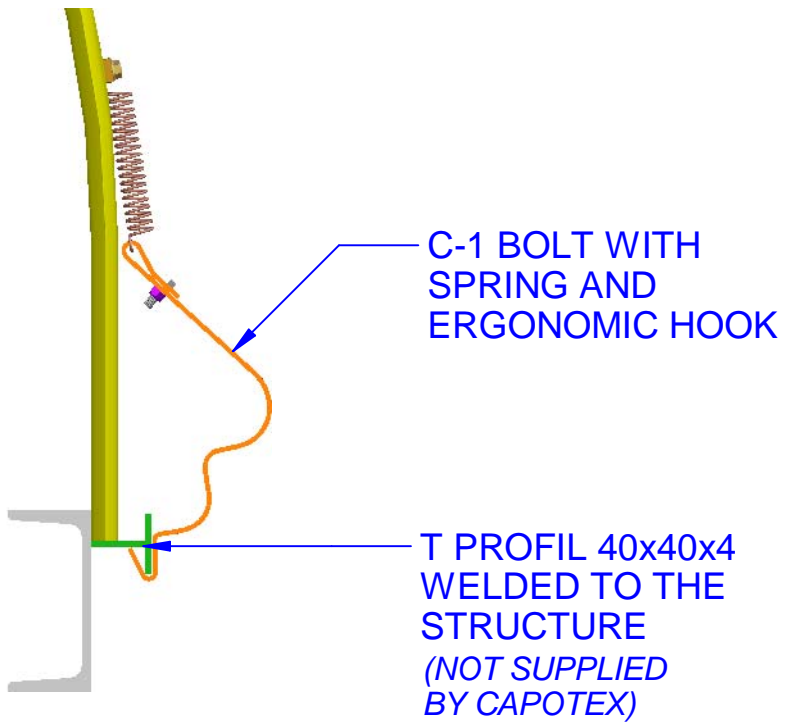
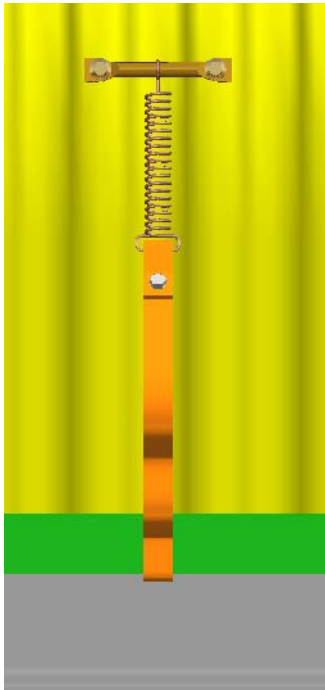
OPTION 4
WITH PLATE



OPTION 4
WITHOUT PLATE



OPTION 5



NOT SPECIFIED TOLERANCE			
DIMENSIONS		ANGLES	
()	: ±2.00	0°	: ±02' 00"
X.	: ±0.50		
X.0	: ±0.25	0° 0'	: ±00' 30"
X.00	: ±0.08		
X.000	: ±0.02	0° 0' 0"	: ±00' 03"

CAD DRAWING. HANDLING ON CAD SYSTEM ONLY

THIS DRAWING IS OWNED BY **CAPOTEX**.
COPY OR REPRODUCTION IS FORBIDDEN
WITHOUT PREVIOUS NOTICE

SCALE	DESIGNED	DRAWN	CHECKED	SHEET 4 OF 8	FORMAT
1:1				NAME	EUR
	SIGNATURE	M. MATILLA		A3	
NAME				DRAWING NUMBER	
DAKAR PLUS COVER (GENERAL VIEW)				CAPOTAJE DAKAR PLUS REV.C.dft	